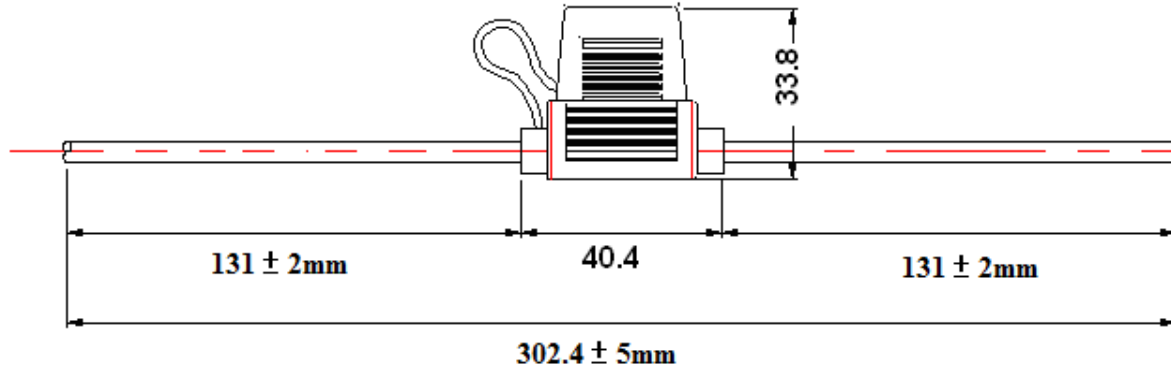


**For ATY-N (ATO,ATC) Fuses.  
Water Resistant Type, Housing not include Fuse**



**Specifications:**

- (a) Item No.: 202-701
- (b) Rated Current: 30A 32V DC Max
- (c) Insulation Resistance At 500V DC:100M • Min.
- (d) Contact Resistance: 5m• At 1A DC
- (e) Dielectric Strength for 60 AC 1000 V Min.
- (f) Body Material: TPR/Color: Black
- (g) CableWire UL1015 12AWG, Color: Red, Wire length:12”Cut
- (h) Terminal Material: Brass (Tin Plated)
- (i) Product meet RoHS standand.
- (j) Product not UL Listed.
- (k) Product produced at Taiwan R.O.C.

NO.	WIRE SPEC.	LENGTH	COLOR	TOLERANCE	Q' TY
1	12AWG (UL1015)	302.4mm	Red	± 5mm	1
2	202-701				1

			DATE	8-28-2015	UNIT	DRAWN	TITLE:	ITEM NO.
			INFORMATION SHEET		mm	JAMES LIN	IN-LINE FUSE HOLDER, WATER RESISTANT TYPE	202-701
ISS	REVISION	DATE						