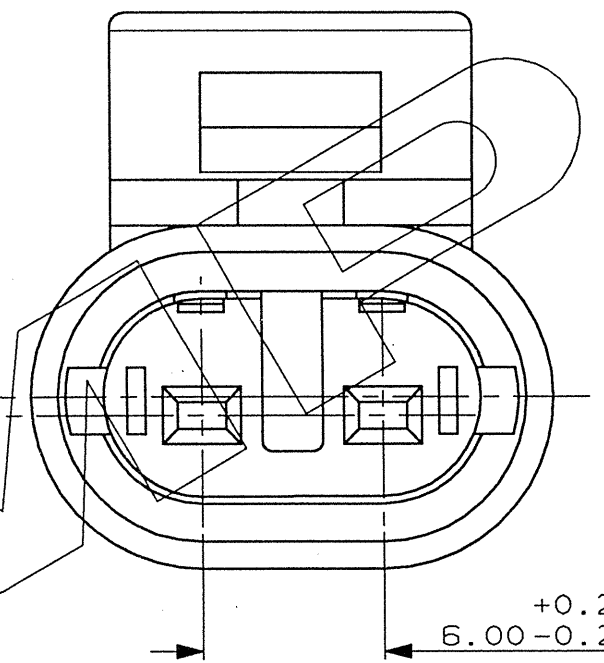
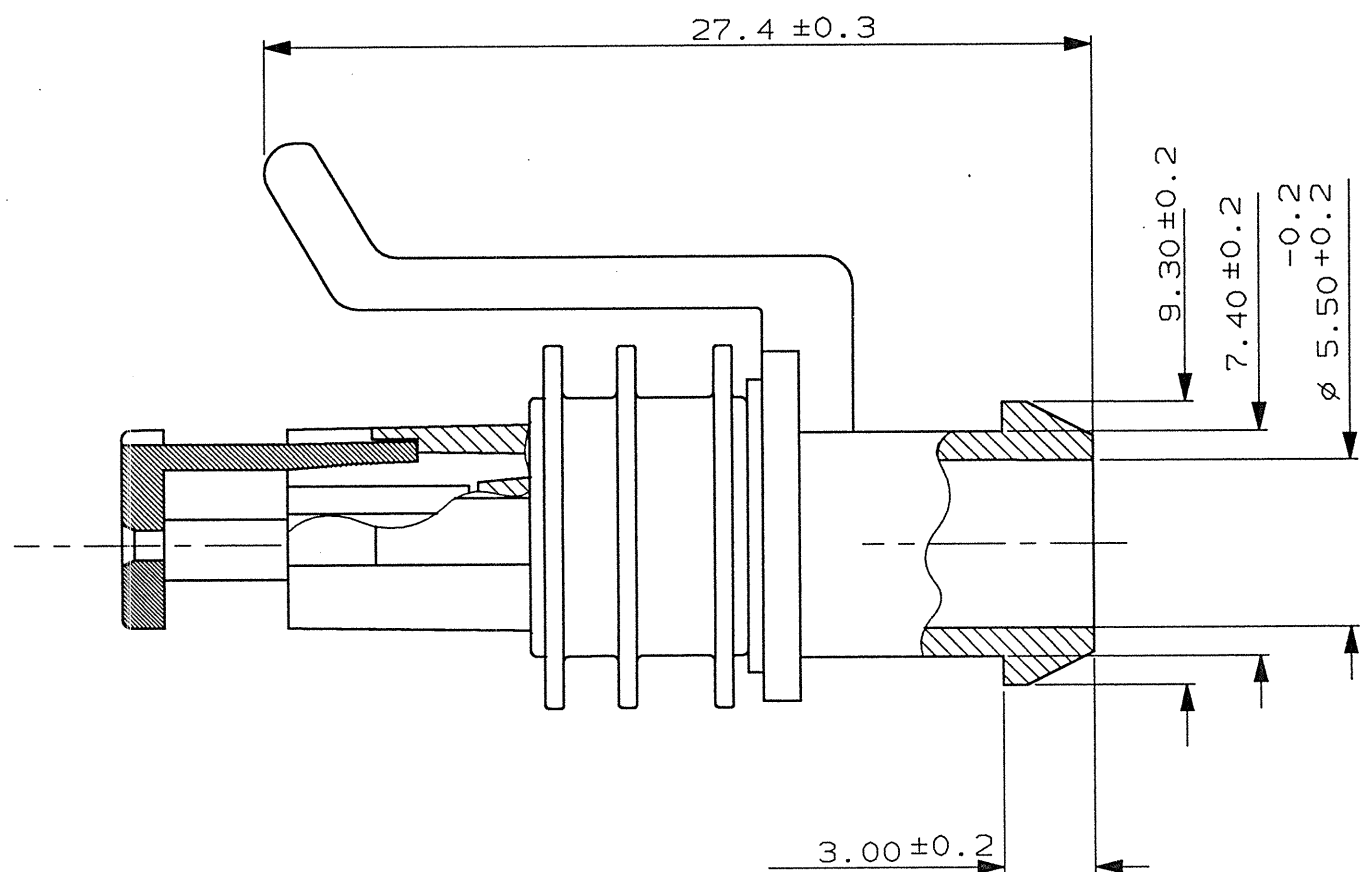
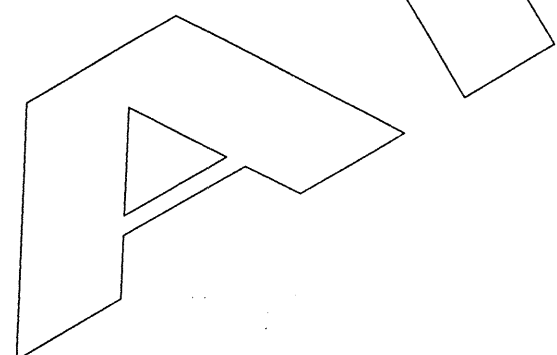


1 2 3 4 5 6 7 8

SCALA NON IMPEGNATIVA (DO NOT SCALE)  
 DIMENSIONI IN mm METRIC  
 PROIEZIONE EUROPEA (EUROPEAN PROJECTION)

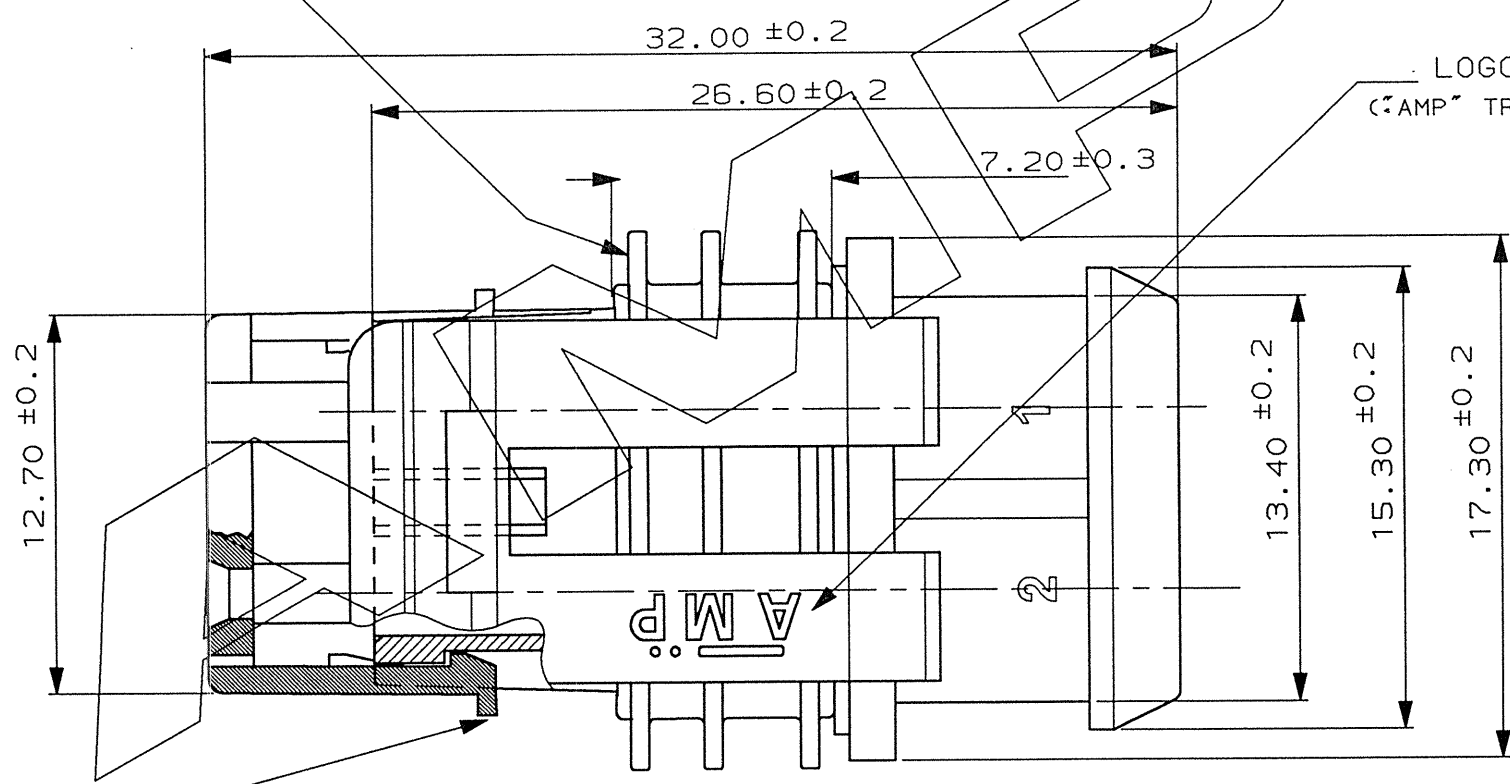


GUARNIZIONE, GOMMA SILICONICA  
 (GASKET, SILICON RUBBER)



LOGO "AMP"  
 ("AMP" TRADE MARK)

1) PER RAPPRESENTAZIONE DIMA CONTROPARTE  
 VEDERE FOGLIO 2 DI 2.  
 (FOR COUNTERPART DETAIL SEE SEET 2 OF 2)



AGGANCIO SECONDARIO, COLORE ROSSO, PRE-ASSEMBLATO  
 (SECONDARY LOCK, RED COLOUR, IN PRE-ASSEMBLED POSITION)

VERDE (GREEN)	PA 6.6 CAR. VETRO	282080-3
GRIGIO (GREY)	* (PA 6.6 G.F.)	282080-2
NERO (BLACK)		282080-1
FINITURA / COLORE (FINISH / COLOUR)	MATERIALE (MATERIAL)	NUMERO (PART NUMBER)

CUSTOMER DWG. FOR REFERENCE ONLY  
 DISEGNO PER CLIENTE SOLO PER RIFERIMENTO

THIS DRAWING IS UNPUBLISHED - RELEASE FOR PUBLICATION

© COPYRIGHT 19 BY AMP INCORPORATED, HARRISBURG, PA. ALL INTERNATIONAL RIGHT RESERVED. AMP PRODUCTS MAY BE COVERED BY U.S. AND FOREIGN PATENT AND/OR PATENT PENDING

TOLLERANZE, SE NON DIVERSAMENTE SPECIFICATO (TOLERANCES, UNLESS OTHERWISE SPECIFIED)	DIAM. ISOLANTE (INS. DIA. RANGE)	RANGO FILO (WIRE RANGE)	SCALA (SCALE)
± 0.3	-	-	-

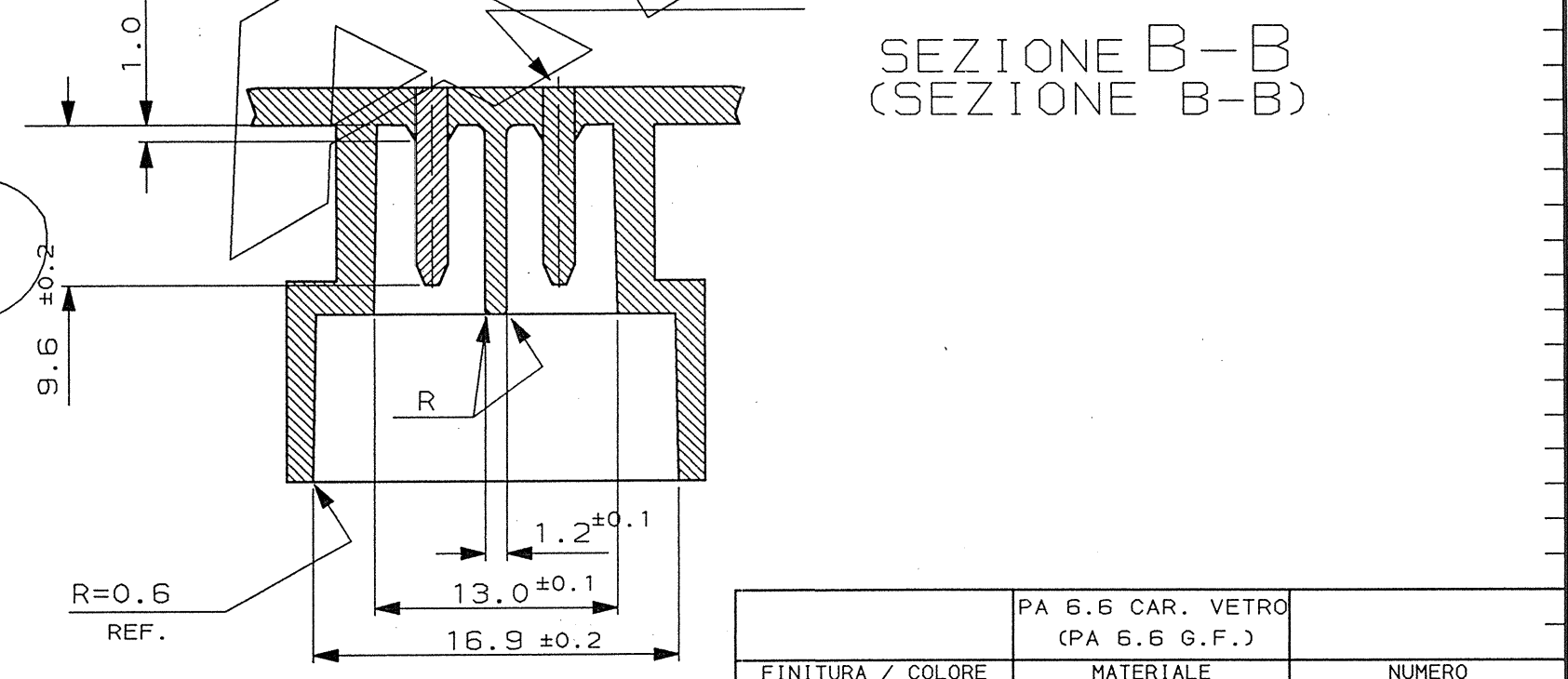
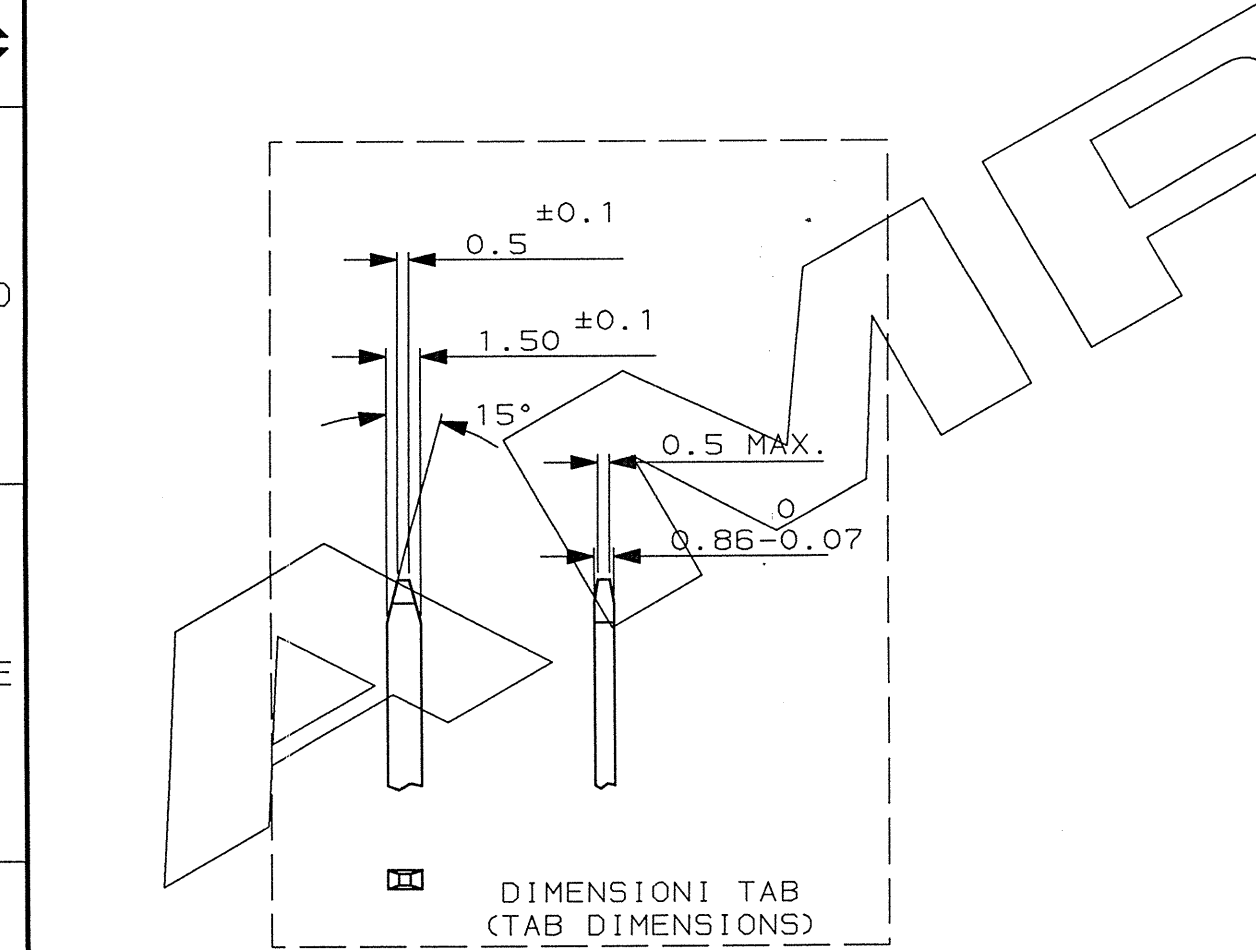
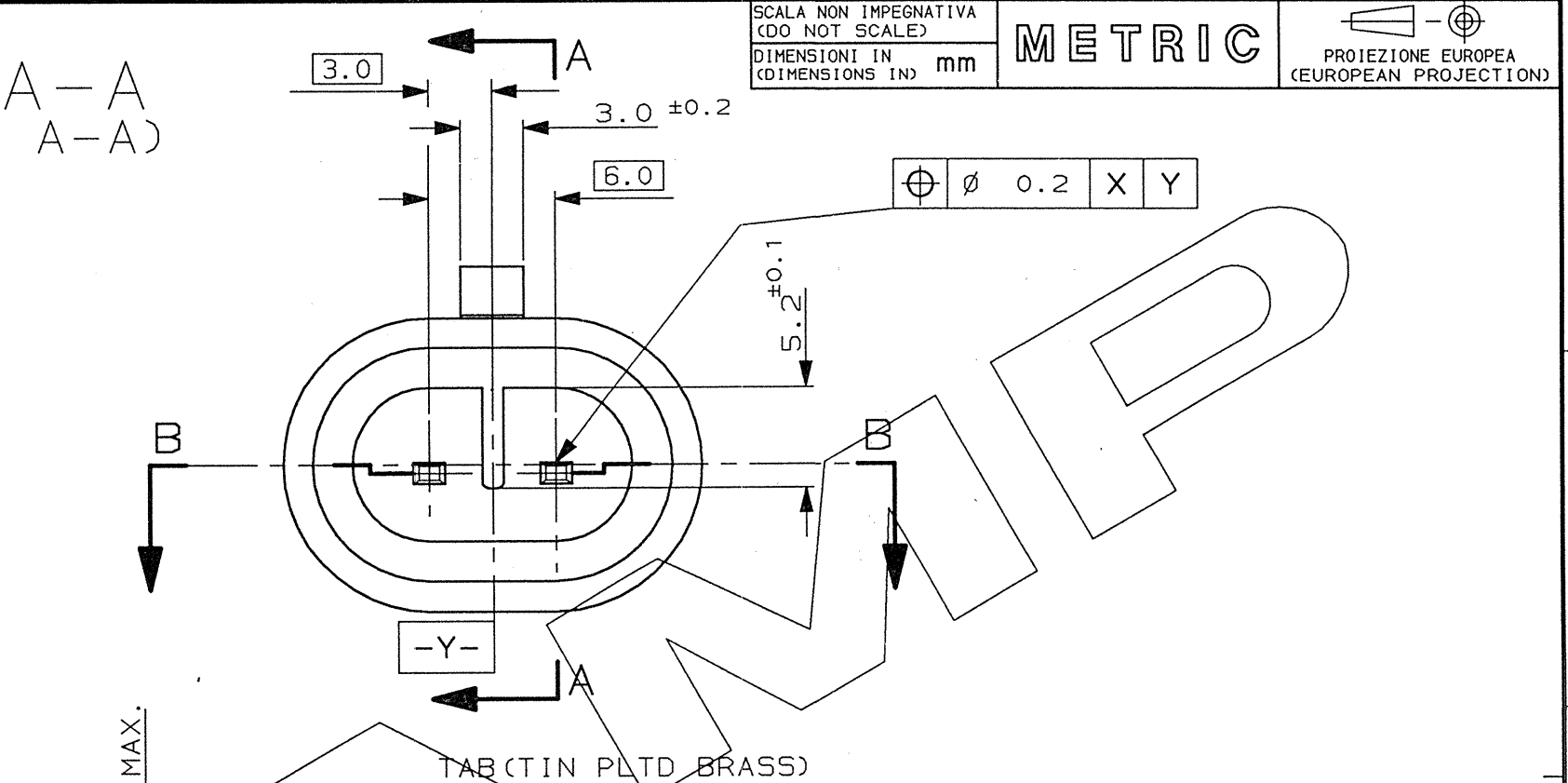
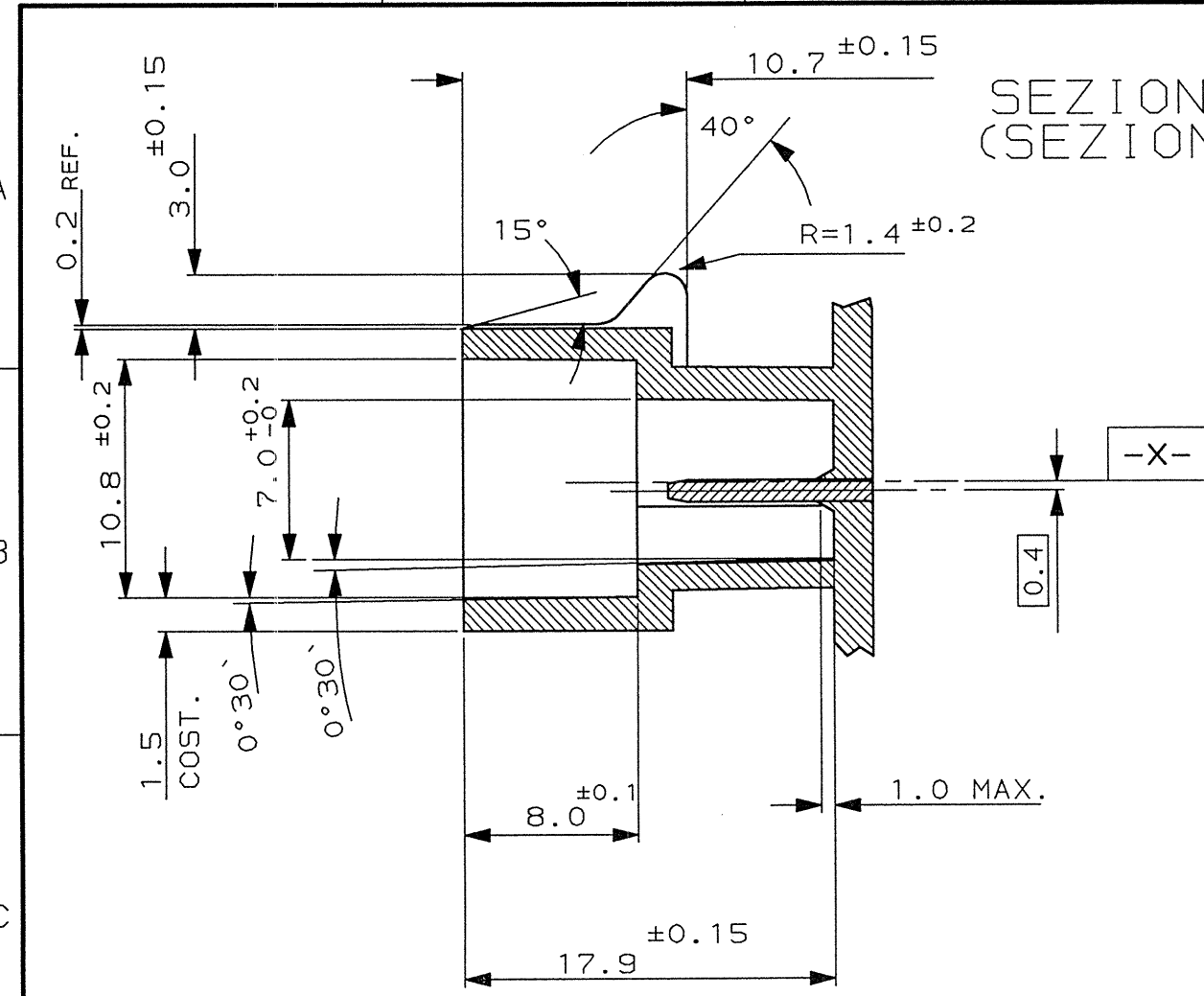
**AMP** AMP ITALIA S.p.A.  
 Corso F.lli Cervi, 15  
 COLLEGNO (TORINO)

DESCRIZIONE (DESCRIPTION) 2 POS. PLUG ASS'Y  
 AMP SUPERSEAL 1.5 SERIES CONNECTORS

LOC. SIZE NUMERO (DWG NO)	REV.	FOGLIO (SHEET)
11A2	C-282080	C1 11 OF 12

REV.	REVISIONI	DIS.	DATA
C1	REVISED FOR ET00-0072-98	M.P.	7-4/98
C	UP-DATED ET00-0490-97		
B	UP DATED	C.B.	10/92
A	ADDED TRUE POS. TOL. (SHEET 2 OF 2) ET00-0125-94	C	4/94
4	AGGIORNATO	C B	10/92
3	AGGIUNTO PN. ...-2	C	2/91
2	MODIFIED		

TRIBUZIONE  
 (INT. DIST.)



	PA 6.6 CAR. VETRO (PA 6.6 G.F.)	
FINITURA / COLORE (FINISH / COLOUR)	MATERIALE (MATERIAL)	NUMERO (PART NUMBER)
CUSTOMER DWG. FOR REFERENCE ONLY	DISEGNO PER CLIENTE SOLO PER RIFERIMENTO	
-THIS DRAWING IS UNPUBLISHED-		RELEASE FOR PUBLICATION 19
© COPYRIGHT 19 BY AMP INCORPORATED, HARRISBURG, PA. ALL INTERNATIONAL RIGHT RESERVED. AMP PRODUCTS MAY BE COVERED BY U.S. AND FOREIGN PATENT AND/OR PATENT PENDING		
TOLLERANZE, SE NON DIVERSAMENTE SPECIFICATO (TOLERANCES, UNLESS OTHERWISE SPECIFIED)	DIAM. ISOLANTE (INS. DIA. RANGE)	RANGO FILO (WIRE RANGE)
± 0.3	-	-
ANGOLI (ANGLES) ± 2°	AMP ITALIA S.p.A. Corso F.lli Cervi, 15 COLLEGNO (TORINO)	
DIS. C. BERTINI (DR.)	DESCRIZIONE (DESCRIPTION) COUNTERPART FOR TWO POS. REC. HSG. ASS'Y	
VEDERE FOGLIO 1 DI 2 (SEE SHEET 1 OF 2)	LOC. (DWG NO)	REV. (REV.)
REV. REVISIONI	DIS. DATA	APP. (APP.)
	IA 0-282080	DI (OF) 2

STAMPATO IN ITALIA (PRINTED IN ITALY)