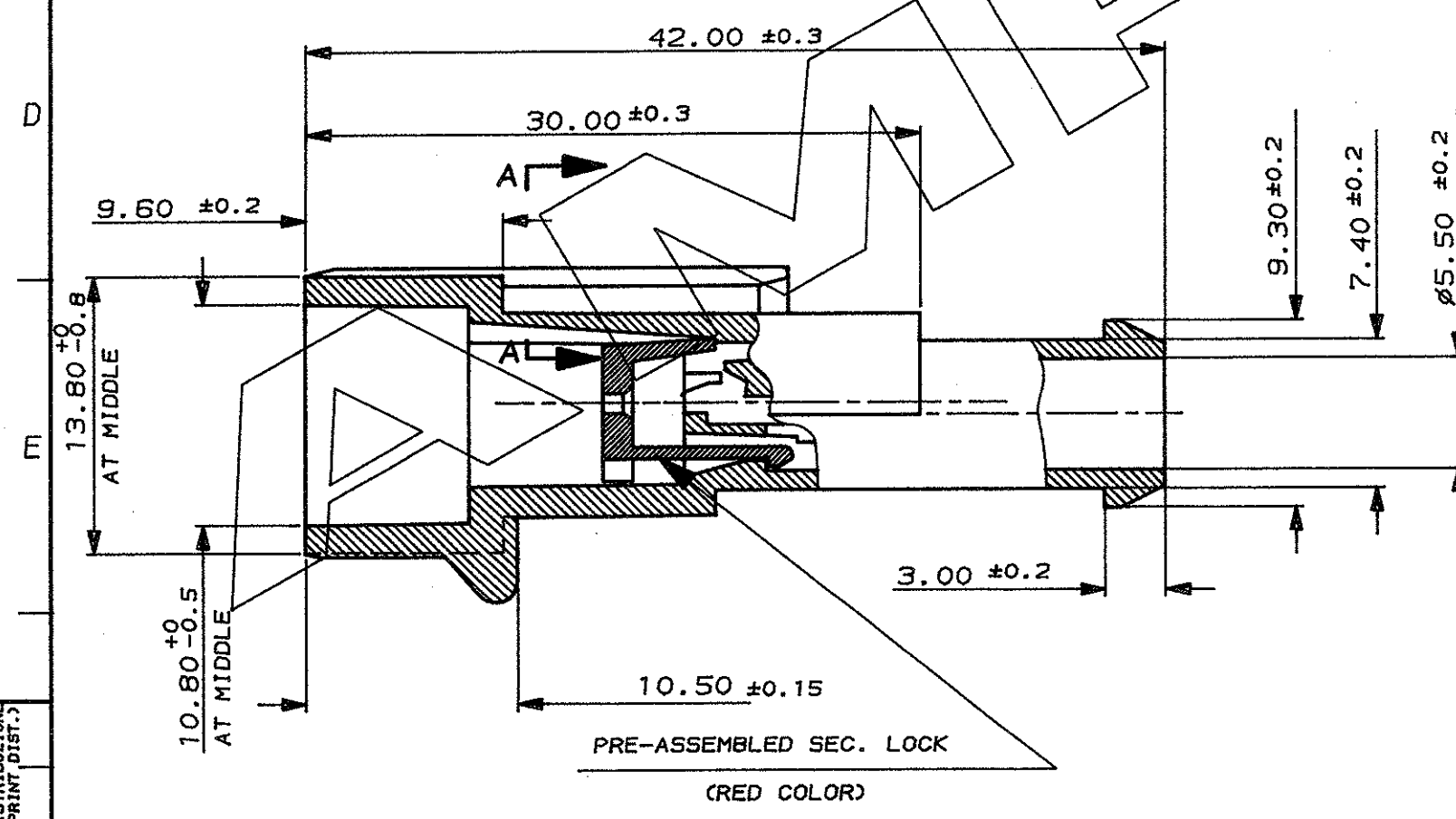


PART. SECT. A-A

**OBSOLETE\***



GREY	G.F. PA66	*282108-2
BLACK	G.F. PA66	282108-1
FINITURA / COLORE (FINISH / COLOUR)	MATERIALE (MATERIAL)	NUMERO (PART NUMBER)

CUSTOMER DWG. FOR REFERENCE ONLY      DISEGNO PER CLIENTE SOLO PER RIFERIMENTO

THIS DRAWING IS UNPUBLISHED      RELEASE FOR PUBLICATION      19  
 © COPYRIGHT 19 BY AMP INCORPORATED, HARRISBURG, PA. ALL INTERNATIONAL RIGHT RESERVED. AMP PRODUCTS MAY BE COVERED BY U.S. AND FOREIGN PATENT AND/OR PATENT PENDING  
 TOLLERANZE, SE NON DIVERSAMENTE SPECIFICATO      DIAM. ISOLANTE (INS. DIA. RANGE)      RANGO FILO (WIRE RANGE)      SCALA (SCALE)  
 TOLERANCES, UNLESS OTHERWISE SPECIFIED)      ± 0.3      —      —  
 ANSOLI (ANGLED)      ± 2°

**AMP** AMP ITALIA S.p.A.  
 Corso F.lli Cervi, 15  
 COLLENO (TORINO)

REV.	REVISIONI (REVISION RECORD)	DIS. DATA (DATE)
5	UP-DATED	C.B. 10-92
4	ADDED PN ...-2	C.B. 8-92
C	obsolete P/N 282108-2 with EIO-0242-97	MP 23/01/97

DIS. (DR.)	C. BERTINI	2-90
CONT. (CNO)	—	—
APP. (APP.)	—	—
LOC. (LOC.)	I A3	C-282108
NUMERO (CNS. NO.)	C-282108	C
REV.	C	—
FOGLIO (SHEET)	01	(COP)

DISTRIBUZIONE (PRINT DIST.)