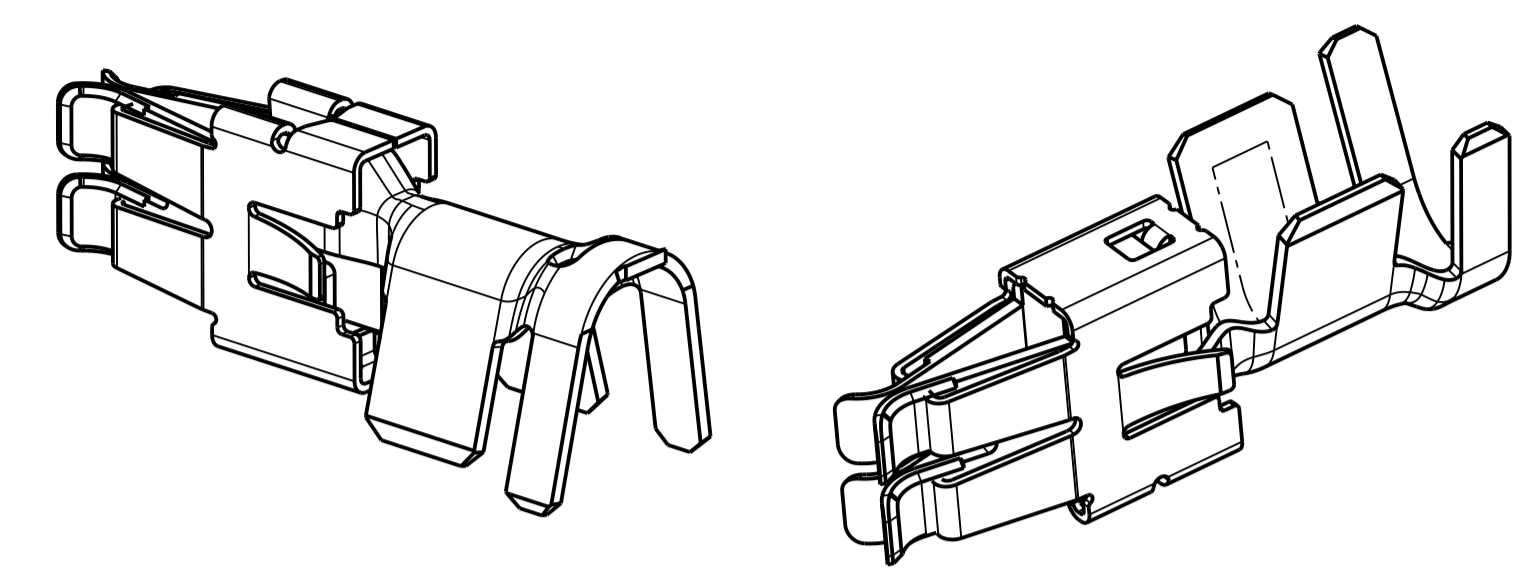
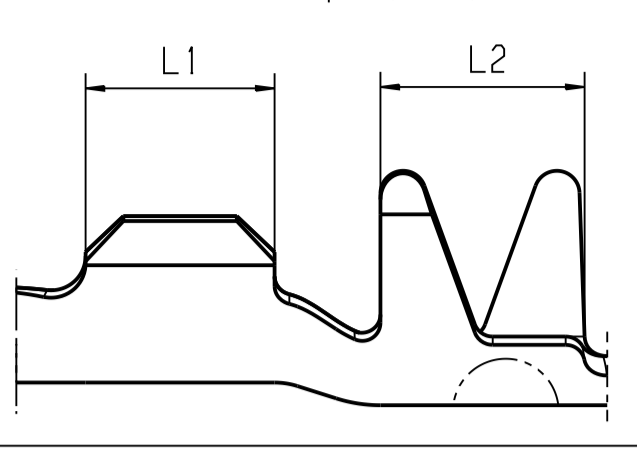


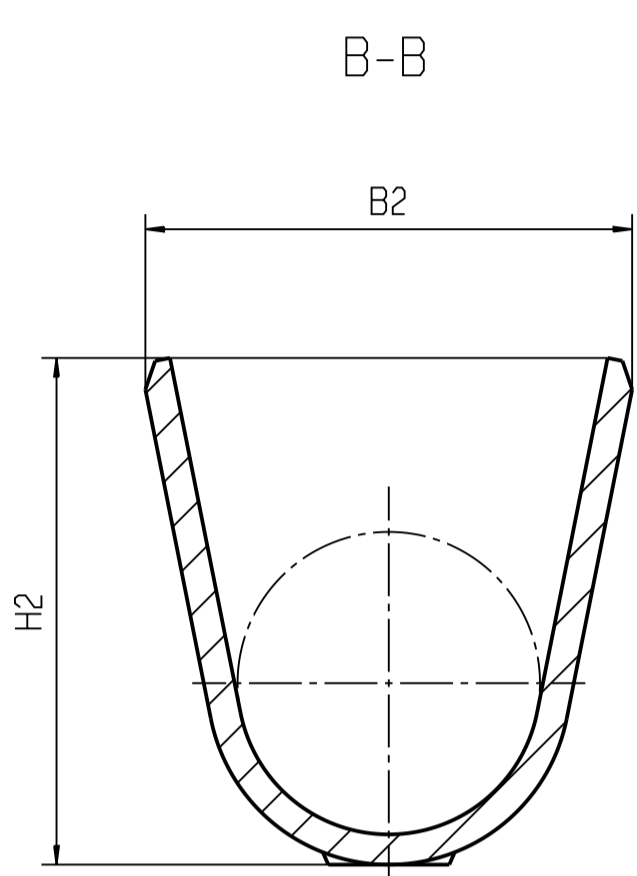
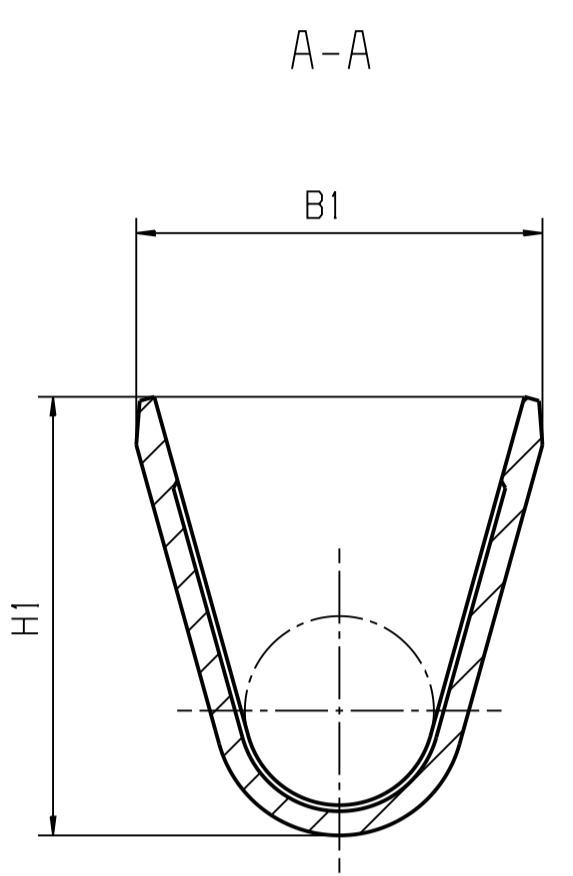
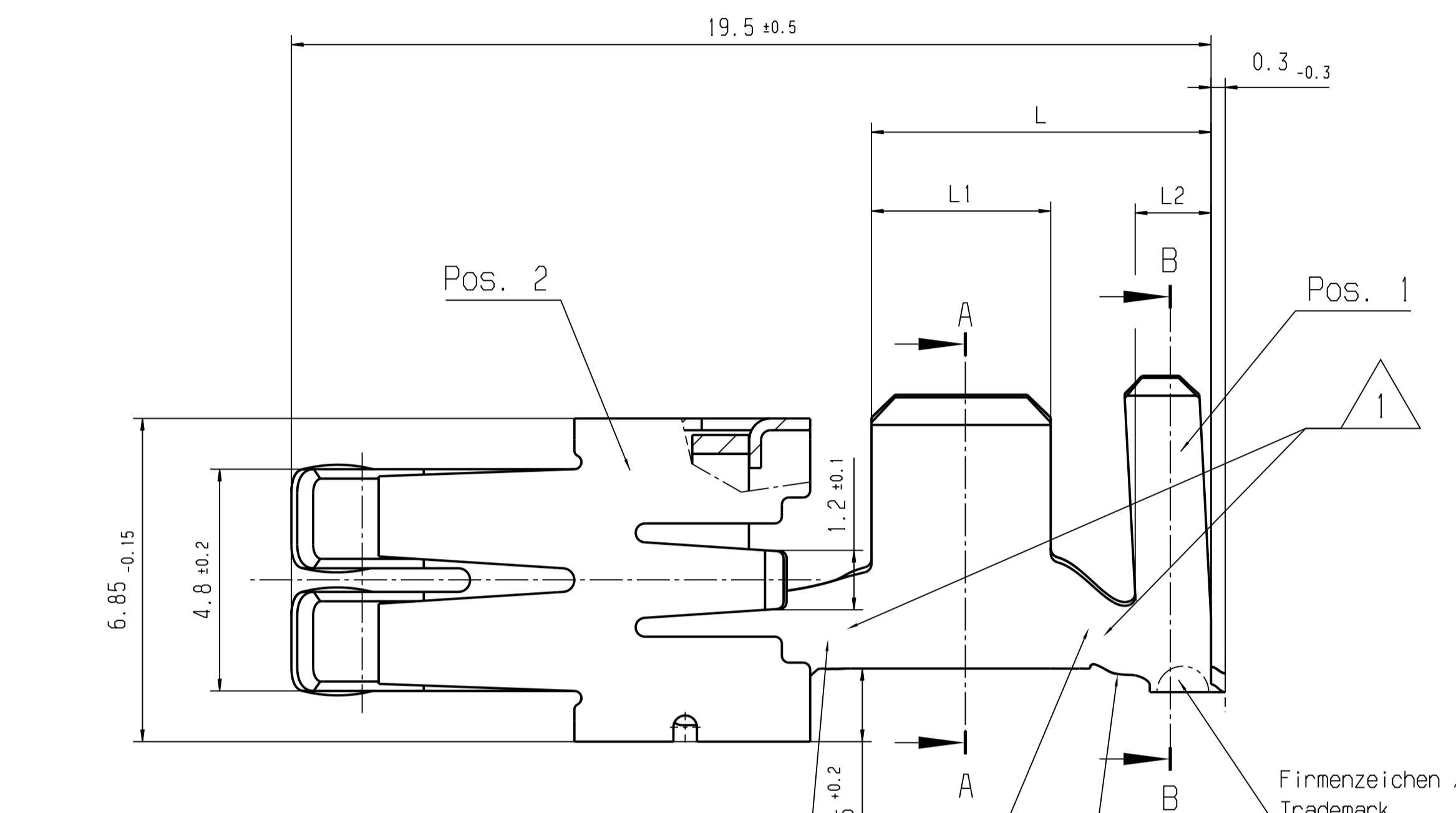
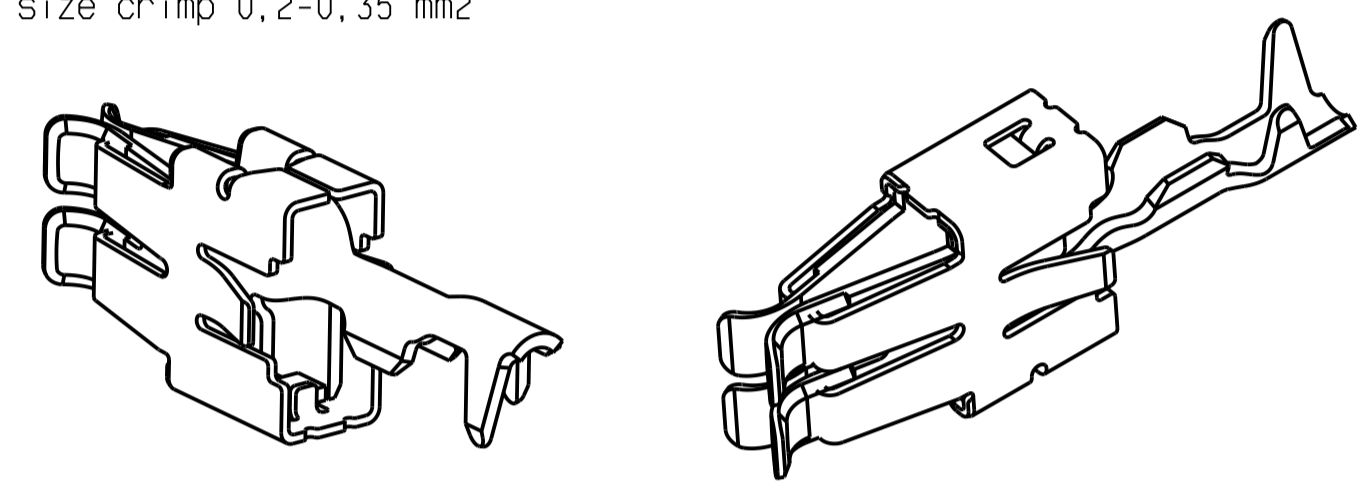
REV.	ZONE	DESCRIPTION	CS/REL. NO.	DATE	DESIGNED	CHECKED
13		Change Report D00431831 Rev.13		2024/01/26	Theelen	Placzko

Darstellung grøeßter Querschnitt 4-6mm²
Shown largest cross-section 4-6mm²

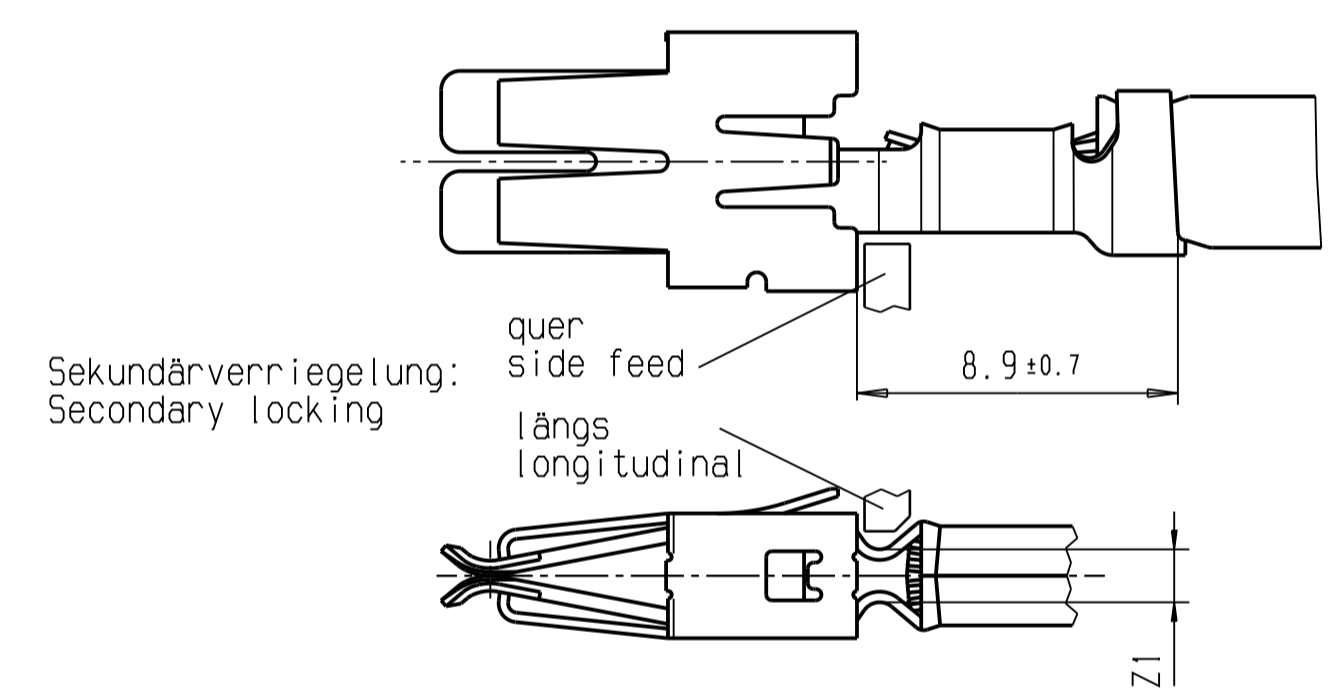
Claw type only for
Wire size crimp 0,2-0,35 mm²



Claw type only for
Wire size crimp 0,2-0,35 mm²

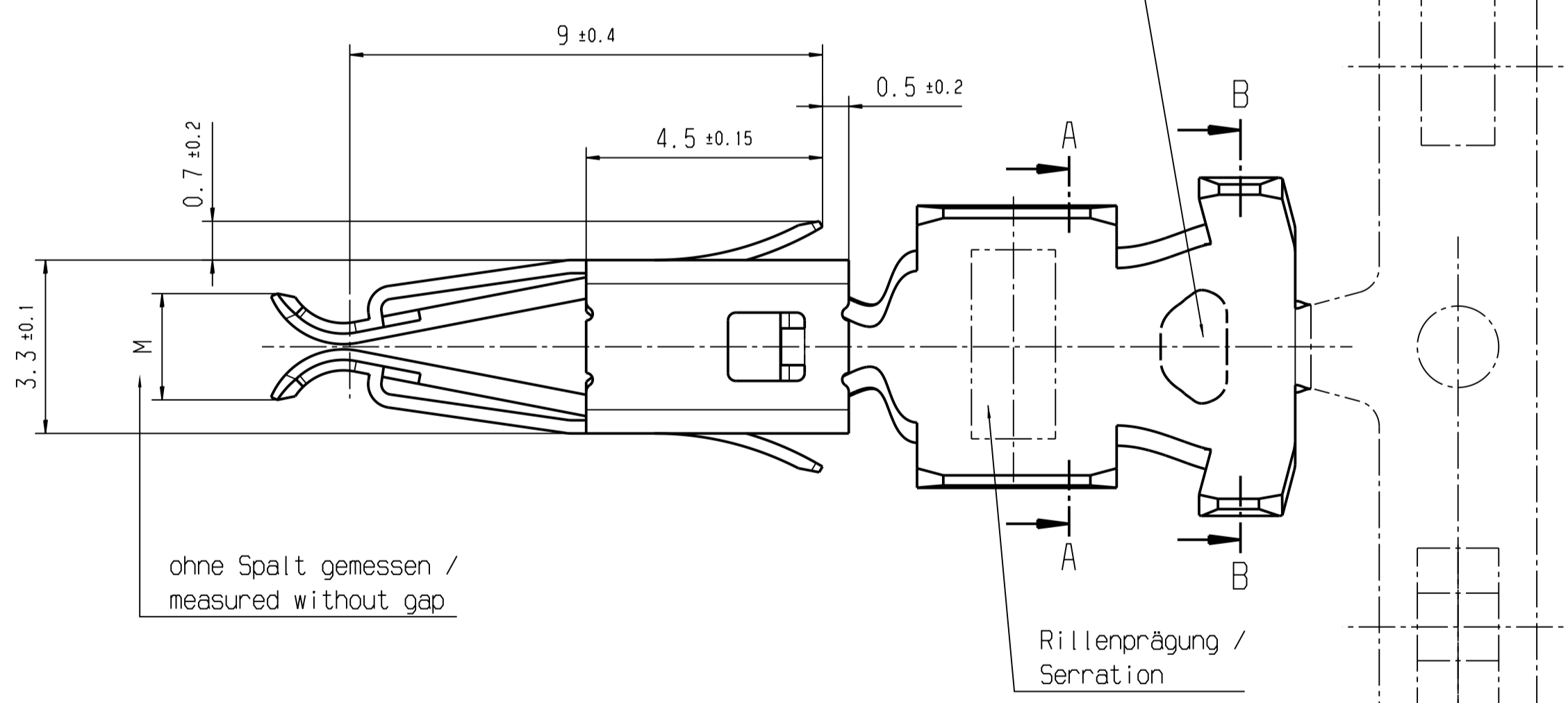


Anschlagbild / Crimped condition
(5:1)

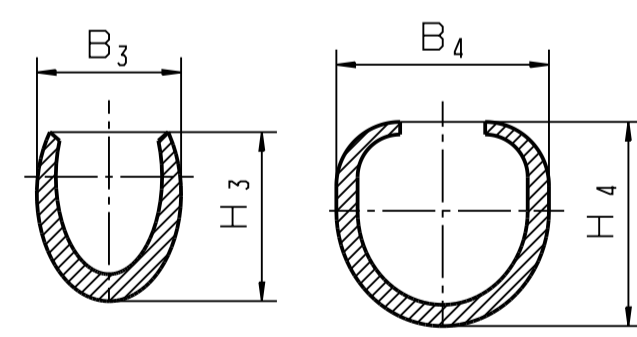


Übergangsbereiche können von Darstellung abweichen
Transition areas may differ from shown illustration

Hole exist only at
Wire size crimp 4-6 mm²



ohne Spalt gemessen /
measured without gap



Bemerkungen / Comments
 ⚠ Nur für Crimpgröße 4-6 mm²
 für Übergangsbereiche verminderte Qualität zulässig
 Sekundärverriegelung nur quer möglich
 Only for wire size crimp 4-6 mm²
 for transition areas reduced quality permitted
 secondary locking only side feed possible

SEM Part Number	CS Part Number	SEM Part Number	CS Part Number	H3	B3	H4	B4
3202596U1	48095 330 186	320257AZ9	28095 330 186	5,2	4,15	5,75	5,45
32025Y1Z2	46650 330 186	320257BP2	26650 330 186	4	3,7	5,8	5,4
3202596P4	46648 330 186	3202537M3	26648 330 186	3,3	3,15	4,1	4,3
3202596Q2	46649 330 186	3202537J9	26649 330 186	2,6	2,25	3,35	3,35

Pre-rolled Single Parts made of Crimp Dimensions

Pre-rolled single Parts for Hand Tool

ZULÄSSIGE LAGERBEDINGUNGEN FUER LEAR CS-PRODUKTE GEMAESS V/8023/06/R
PERMISSIBLE STORAGE CONDITIONS FOR LEAR CS-PRODUCTS IN ACCORDANCE TO...

GENERAL TOLERANCES ISO 2768 - mK	THE ENGLISH TRANSLATION IS BELIEVED TO BE ACCURATE. IN CASE OF DISCREPANCIES THE GERMAN VERSION SHALL GOVERN.	CS Drawing Number 20286
ANGLE PROJECTION EU	MATERIAL: see table FINISH / SURFACE: see table COLOR: ---	WEIGHT CAD: --- VOLUME CAD: --- [g] [mm ³]

SCALE: **10:1**
 START DATE: 1995/09/07
 DRAWN: Ba1
 APPROVERS: Ba1
 TITLE: **miscellaneous / cross carline AFK4.8 x 0.8**

DRW FILE NAME: 20286_..._CG_00113	CAD DIRECTORY / CAD LOCATION: K-AUTOMOT/LAGER-20
LAST UPDATE 2024/01/26	SEM DOCUMENT ID / DRAWING NUMBER D00431831 - 13
SHEET OF 1	TYPE CG

CONFIDENTIAL - THIS DRAWING AND ALL INFORMATION DISCLOSED HEREIN ARE OWNED BY LEAR CORPORATION AND ARE NOT TO BE DISTRIBUTED OR DISSEMINATED IN ANY MANNER UNLESS EXPRESSLY AUTHORIZED IN WRITING BY LEAR CORPORATION.

Wire Size Range [mm ²]	SEM Part Number	CS Part Number	Material	Surface	thick-ness (t)	Material	Surface	thick-ness (t)	H1	B1	H2	B2	L1	L2	L	M	Z1	Remark
4-6	320257AZ9	28095 330 186	CuFe2P	FrSn1+1	0,4	FeCrNi	without surface	0,25	5,8	5,4	6,7	6,4	3,8	7,2	2,3±0,15	2,5	---	reduced insertion force
2,5-4	320257BP2	26650 330 186		AG1 (connection area)					4,8	4,6	4,0	6,8						
1,5-2,5	E00021360	26646 330 141		4					3,8	4,9	4,7	3,5	1,6	6,3	2,45±0,15	1,6		
	3202537M3	26648 330 186		3					2,8	4,1	3,8	3	5,8	2,3±0,15				
0,5-1	3202537J9	26649 330 186	FrSn1+1	3	2,8	4,1	3,8	3	5,8	2,3±0,15	---	---						
0,2-0,35	320257AU0	26697 330 186	2,2	2,2	3,1	3,1	2,5	2,8	6,6									

Assembly Part Number Pos. 1: Basic Part Pos. 2: Spring Crimp Dimensions