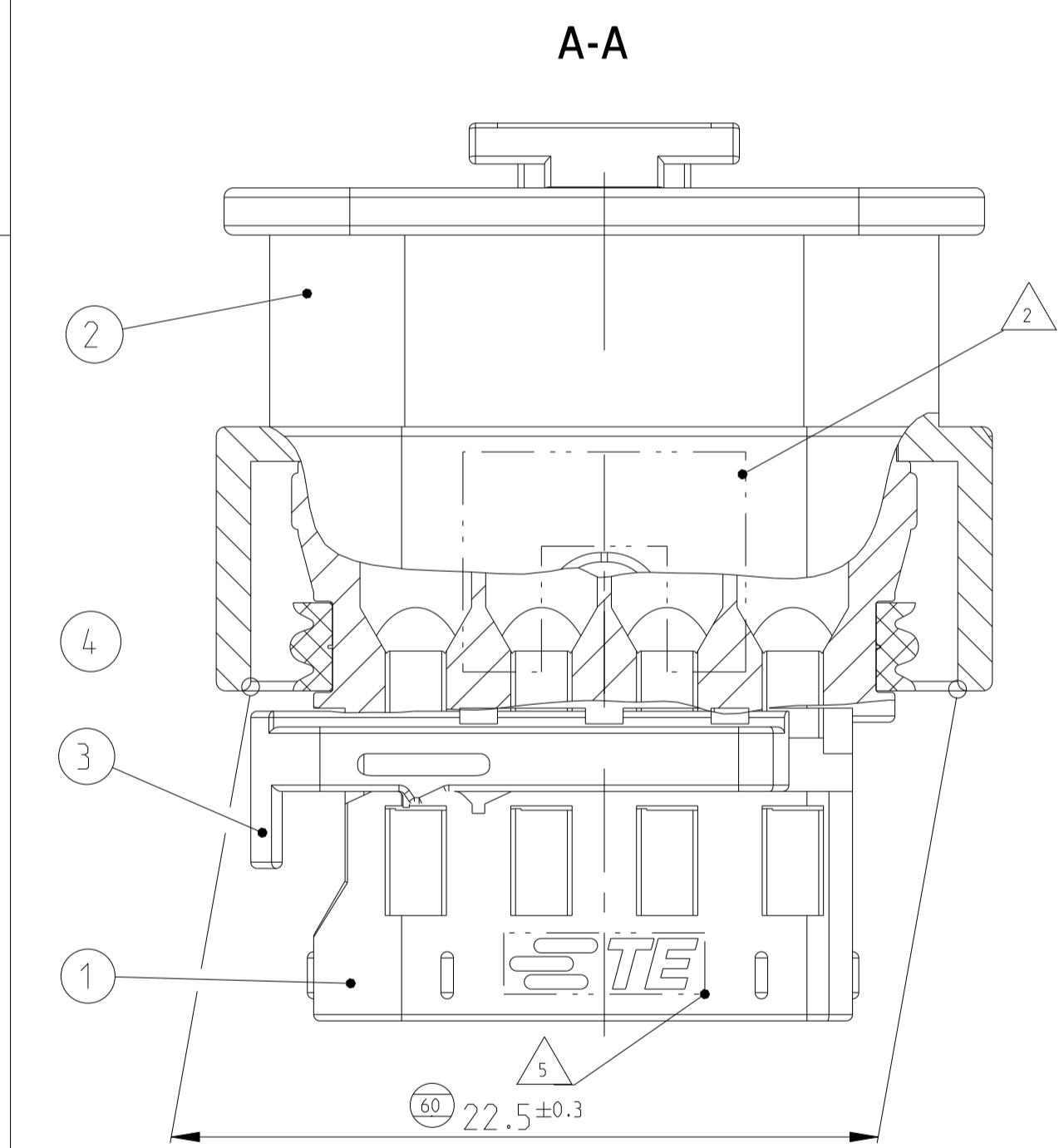
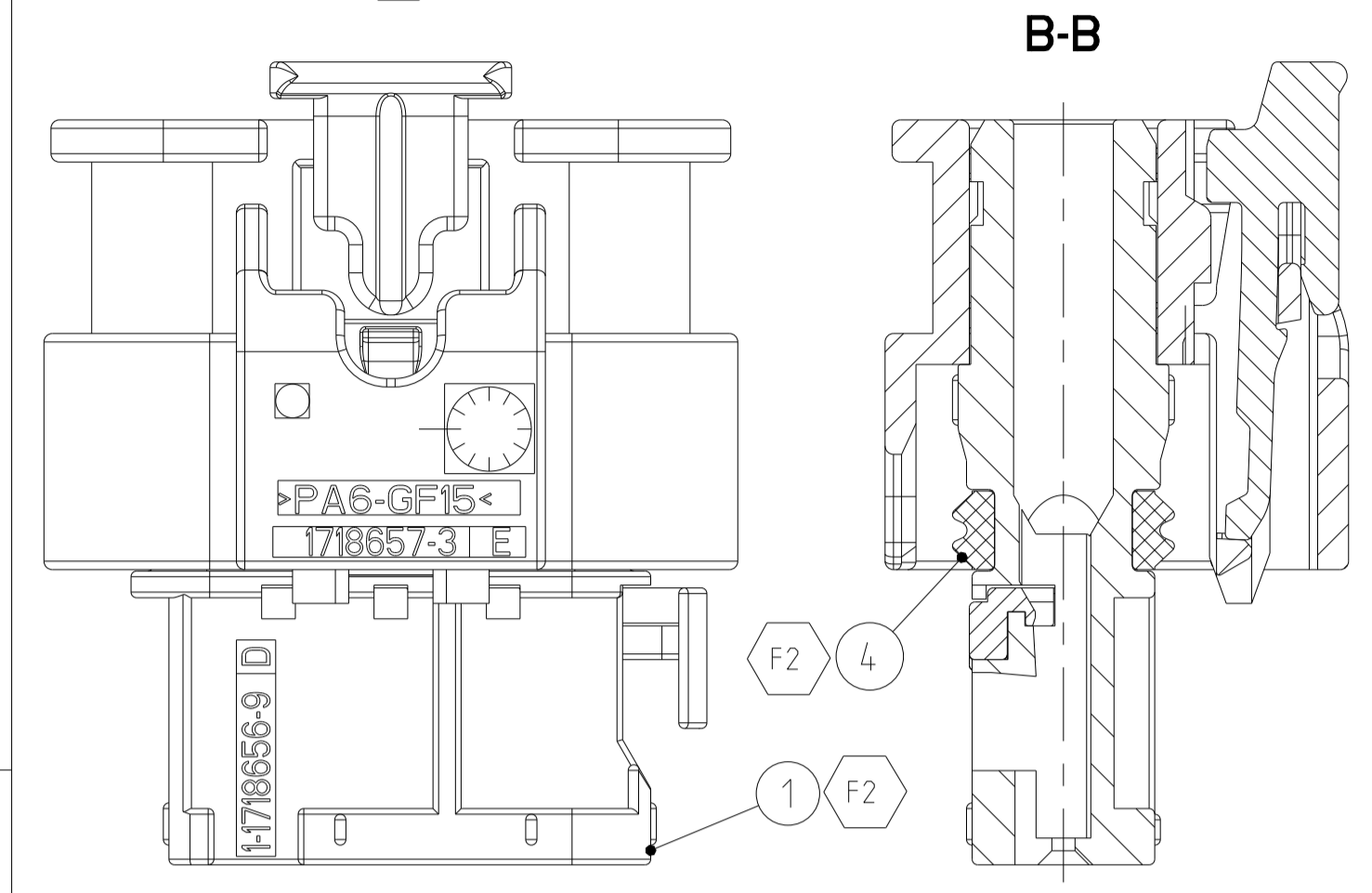


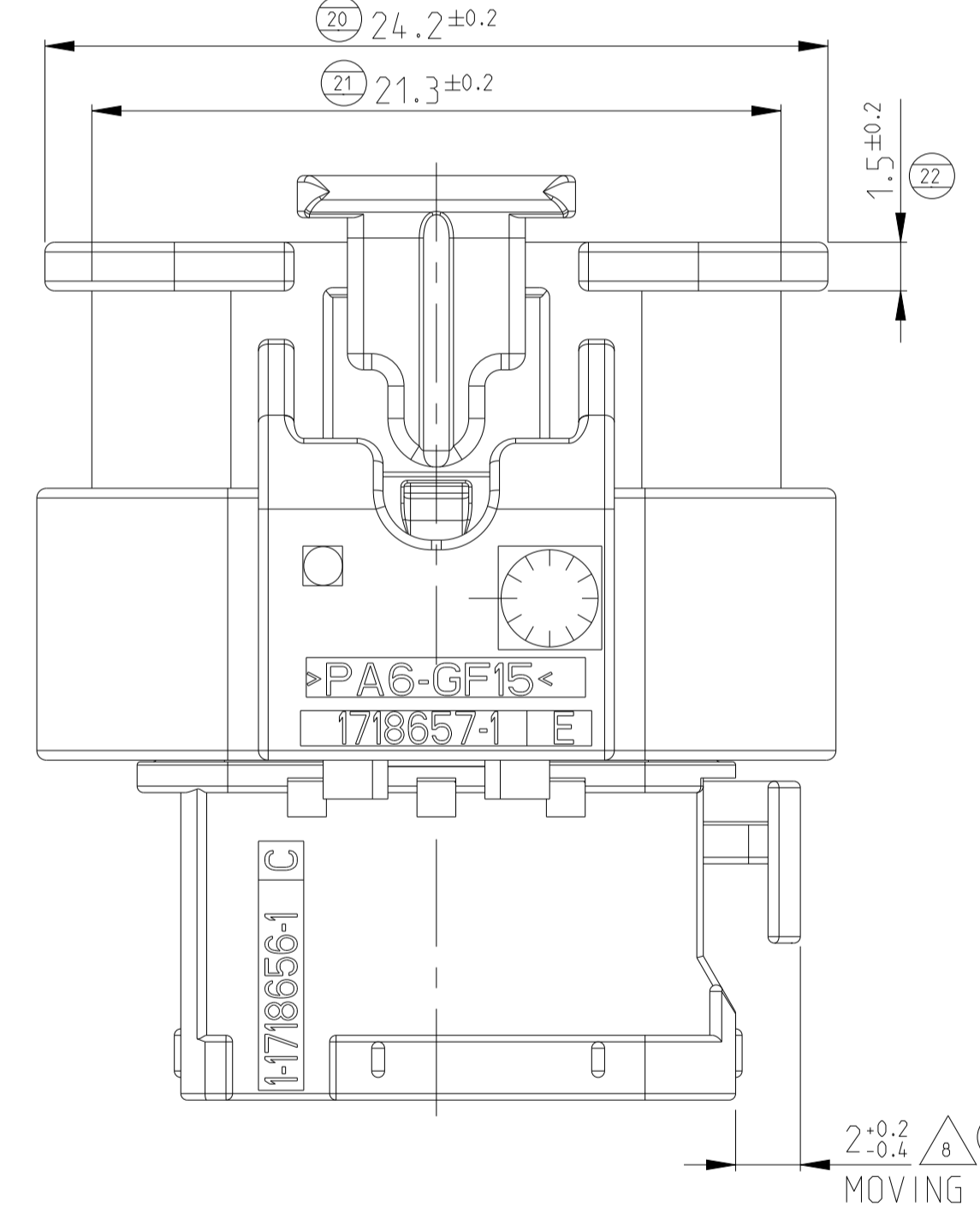
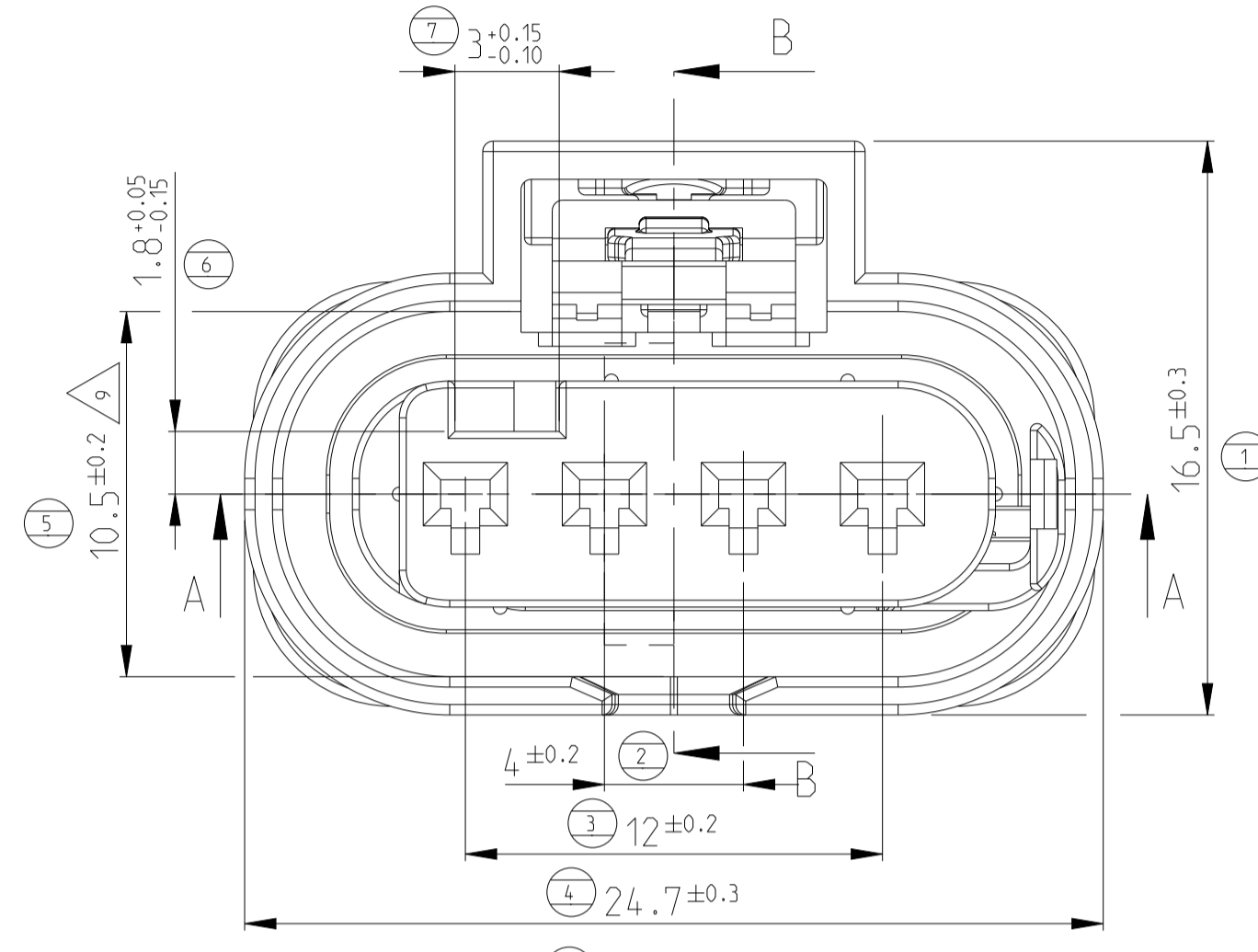
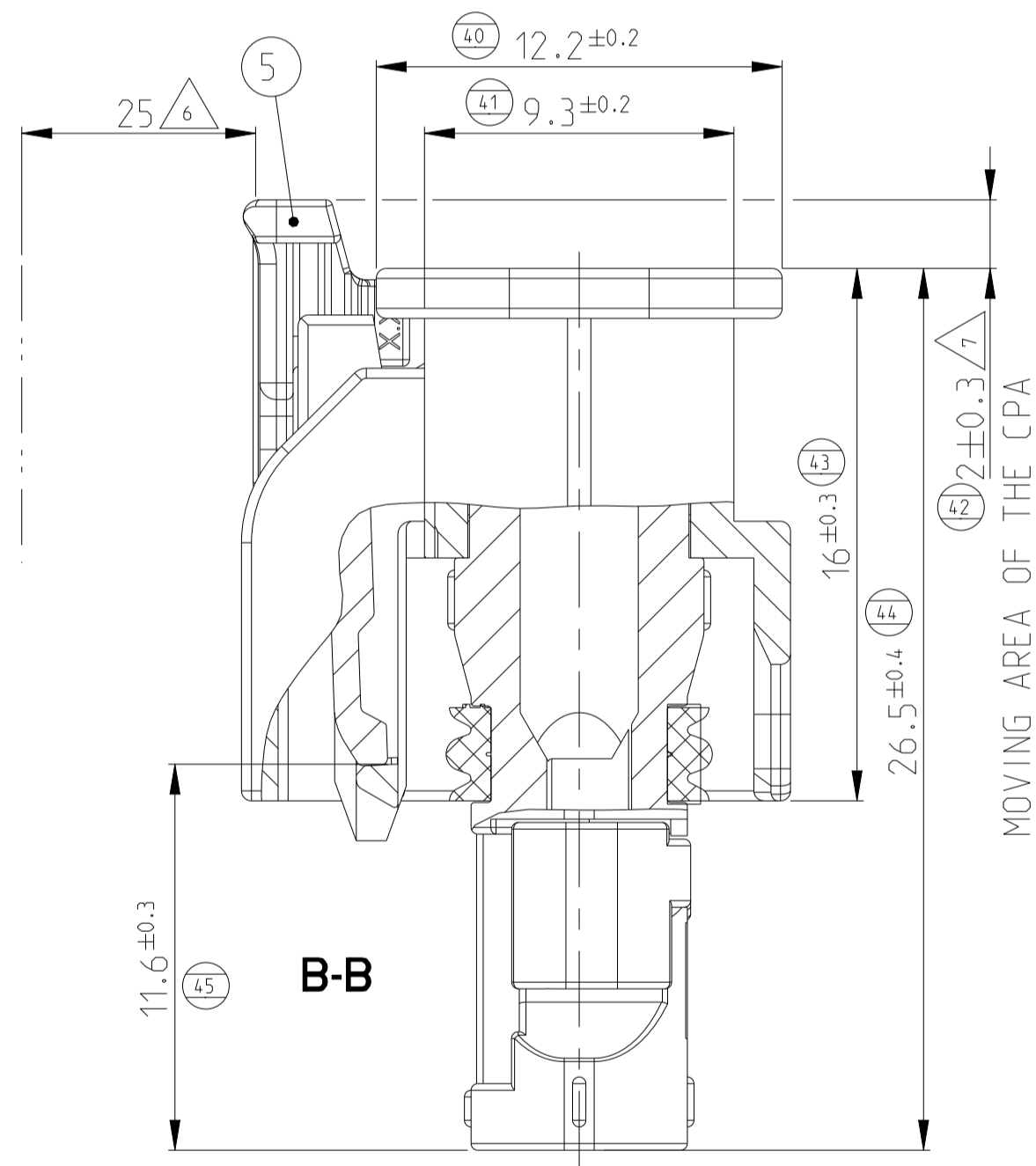
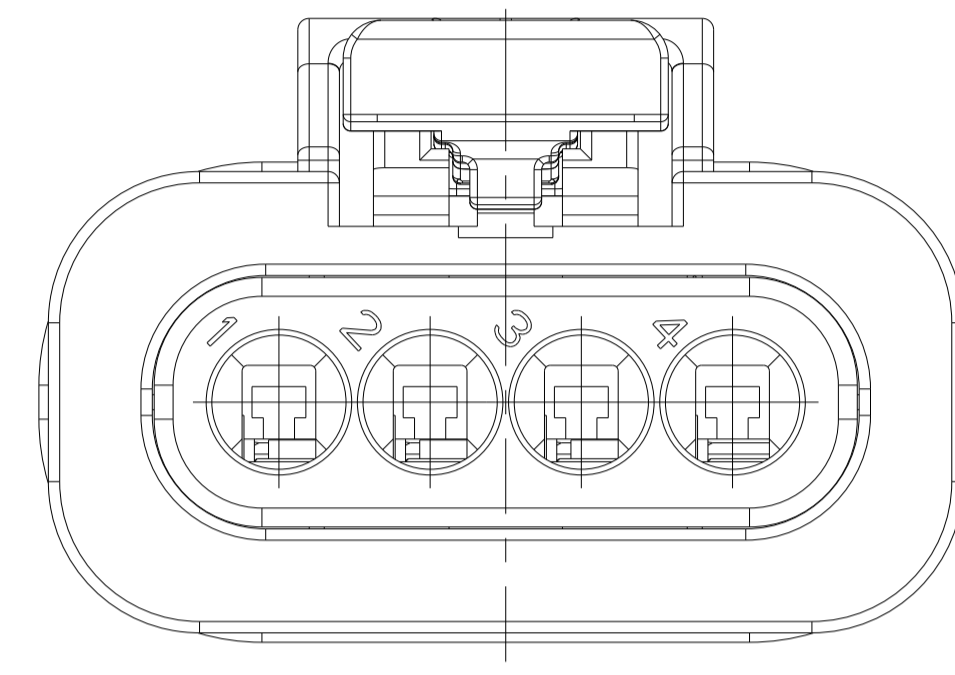
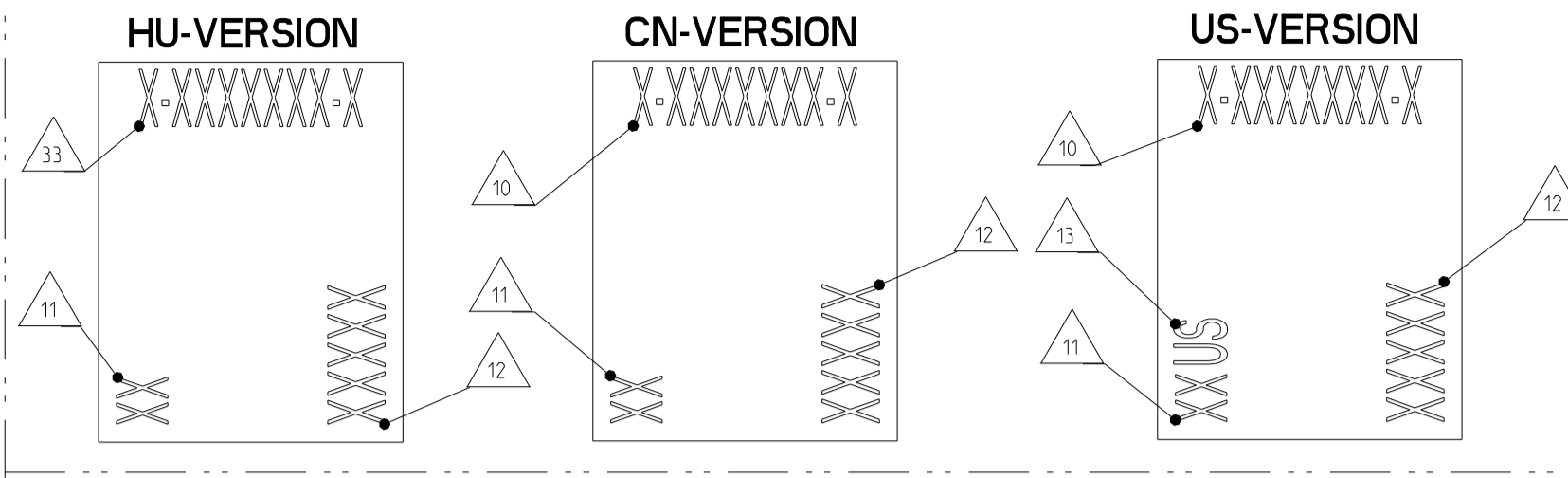
TE Connectivity Ltd. company. All Rights Reserved.  
**VERSION WITH NEW REVISION REC. HOUSING AND SEAL**

1-1718645-3  
 2-1718645-1

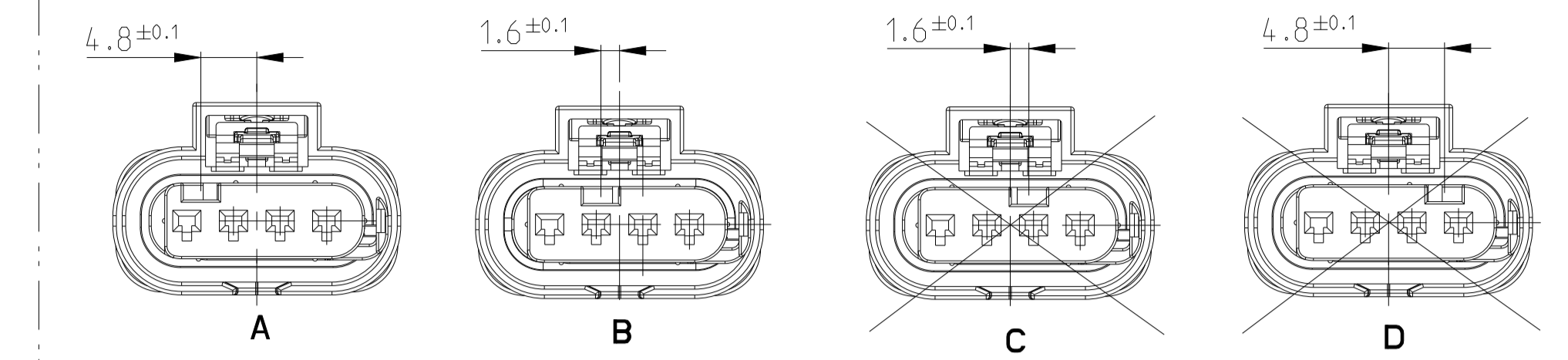


TE-ORDER-NO.	COD	DEFINITION	REV	QTY	DEFINITION	MATERIAL	SURFACE/COLOUR	ITEM
1-1718645-3	A	4pos. MCON 1.2 - LL Connector, Sealed	F	1	MCON 1.2 - CPA	PA46-GF15	RED	5
				1	4pos. MCON 1.2 - Seal	MVQ	NATURE	4
				1	4pos. MCON 1.2 - Retainer	PA66-GF15	VIOLET	3
				1	4pos. MCON 1.2 - Protec. Cover	PA6-GF15	YELLOW	2
2-1718645-1	B	4pos. MCON 1.2 - LL Connector, Sealed	F2	1	MCON 1.2 - CPA	PA46-GF15	GREY	5
				1	4pos. MCON 1.2 - Seal	MVQ	NATURE	4
				1	4pos. MCON 1.2 - Retainer	PA66-GF15	VIOLET	3
				1	4pos. MCON 1.2 - Protec. Cover	PA6-GF15	BLACK	2
1-1718645-1	A	4pos. MCON 1.2 - LL Connector, Sealed	E	1	4pos. MCON 1.2 - Rec. Housing	PA66-GF30	NATURE	1
				1	MCON 1.2 - CPA	PA46-GF15	GREY	5
				1	4pos. MCON 1.2 - Seal	MVQ	NATURE	4
				1	4pos. MCON 1.2 - Retainer	PA66-GF15	VIOLET	3
				1	4pos. MCON 1.2 - Protec. Cover	PA6-GF15	BLACK	2
				1	4pos. MCON 1.2 - Rec. Housing	PA66-GF30	BLACK	1

PRINT: 2:1  
 5:1



CODINGS  
 M 2:1

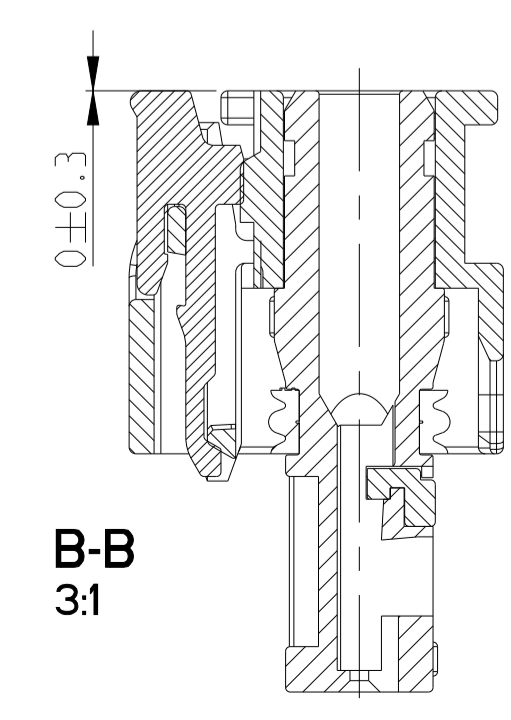


NOTES:

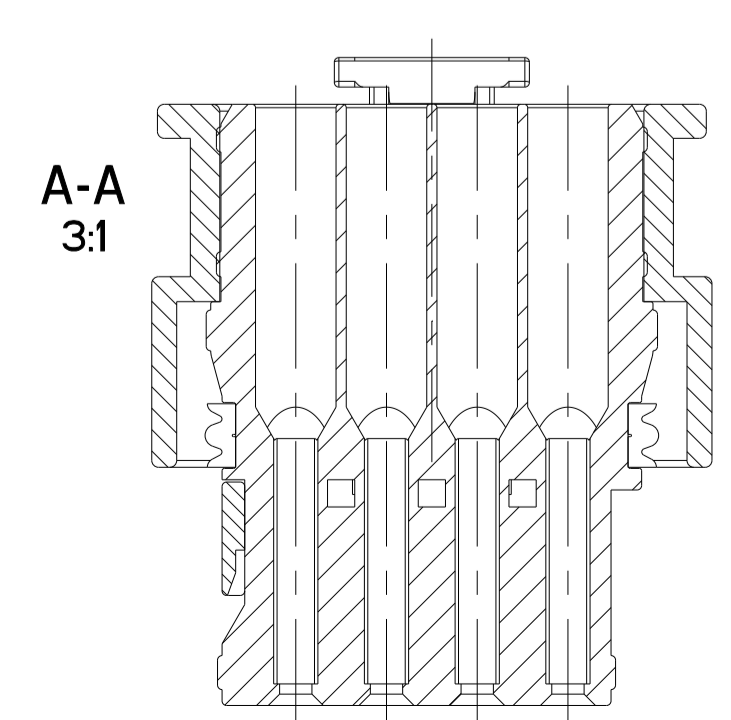
- MAX. WIRE SIZE RANGE 1.0 mm<sup>2</sup> FLR PERMITTED FOR CAVITY-Ø 3.55MM  
 QUANTITY SEE WIRE HARNESS DRAWING FOR PERMISSIBLE CURRENT CARRYING CAPACITY OF THE SINGLE CONTACT SEE PRODUCT SPECIFICATION NO. 108-18782
  - AREA FOR PRINT
  - USABLE CONTACTS MCON 1.2 LL  
 SEE TE-NO. 1452674, SINGLE WIRE SEAL-VERSION
  - ACCORDING TO INTERFACE DRAWING 114-18679-3
  - SUPPLIER-MARK
  - SPACE OF ACTIVITY
  - SUPPLY CONDITION: CPA IN PRELOCKED POSITION
  - SUPPLY CONDITION: RETAINER IN PRELOCKED POSITION
  - WARPAGE PERMITTED TO MAX. -0.5mm
  - TE ORDER-NO.
  - ASSEMBLY LINE SEGMENT IDENTIFICATION
  - DATE CODE (DDYY)
  - DIVERGENT MARKING FOR PARTS FROM CHINESE AND U.S. PRODUCTION
- 1-...-1 AS SHOWN

REVISIONS				
P	LTN	DESCRIPTION	DATE	APVD
E	ECR-12-006206		04APR2012	SZN GB
F1	INNER HSG AND SEAL DESIGN IMPROVED		25JUN2020	SZN LSZ
	GLOBAL VERSIONS ADDED			
F2	2-1718645-1 - Seal and Rec. Hsg. design impr.		08JUL2021	SZN LSZ

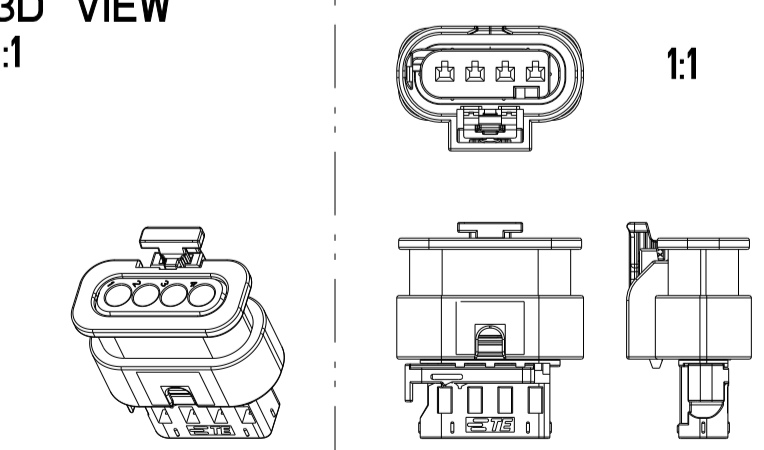
CPA IN END POSITION



RETAINER IN END POSITION



3D VIEW  
 1:1



TOLERANCES UNLESS OTHERWISE SPECIFIED ACC. TO DIN 16901-140@CENTRIC TO NOMINAL DIMENSION, EDITION 1982-11 SHALL APPLY. Freigabtoleranzen nach DIN 16901-140@. Es gilt die Ausgabe 1982-11.		DWN: G. Roth 16FEB2005	
THIS DRAWING IS A CONTROLLED DOCUMENT.		CHK: A. Schraebel 16FEB2005	
DIMENSIONS:	TOLERANCES UNLESS OTHERWISE SPECIFIED:	APVD: J. Woller	NAME: 4pos. MCON 1.2 - LL Connector, Sealed
mm	0 PLC ±	PRODUCT SPEC	SIZE: -
	1 PLC ±	APPLICATION SPEC	CAGE CODE: 00779
	2 PLC ±		DRAWING NO: C=1718645
	3 PLC ±		RESTRICTED TO: -
	4 PLC ±		SCALE: 5:1
MATERIAL: -	ANGLES: ±0°	WEIGHT: 5 g	SHEET: 1 OF 1
	FINISH: -	CUSTOMER DRAWING	REV: F2