

TABLE OF CONTENTS	
SHEET NO.	SHEET DESCRIPTION
1	NOTES AND BOM
2	CONFIGURATIONS
3-4	KEY CONFIGURATIONS
5	BLADE SEALED ASSEMBLY
6	SYSTEM PACKAGING
7	BACKSHELL NOTES
8	BACKSHELL
9	BACKSHELL CONFIGURATIONS

MATING CONNECTOR DRAWINGS	
DESCRIPTION	MOLEX INLINE
1X2	SD-33471-0001
1X6	SD-33471-0001

NOTES: VALID UNLESS OTHERWISE SPECIFIED

1. GENERAL:

a. APPLICATION SPECIFICATION SEE: AS-33472-100

- CONTAINS: PRODUCT INTRODUCTION, PRODUCT SUMMARY, CONNECTOR ASSEMBLY, PACKAGING INFORMATION, CONNECTOR MATING, SERVICE INSTRUCTIONS, ELECTRICAL CONTINUITY CHECKING, CRIMPING, AND TROUBLESHOOTING.
- DESIGNED TO MATE WITH RECEPTACLE SEALED ASSEMBLY AS SPECIFIED IN THE MATING CONNECTOR DRAWINGS CHART.
- *DENOTES DRAWINGS THAT CAN BE ACCESSED AT <http://ewcap.uscarteams.org/>
- ASSEMBLY SHIPPED WITH PLR IN PRE-LOCK POSITION (SEE PLR PRE-LOCK VIEW SHEET 5).

b. PRODUCT SPECIFICATION SEE:

- STANDARD CONFIGURATION: PS-33471-000
- UL V0 CONFIGURATION: PS-160105-0001
- CONTAINS: PRODUCT INTRODUCTION, PRODUCT SUMMARY, RATINGS (CURRENT, TEMPERATURE, SEALING, AND FLAMMABILITY), TERMINALS, WIRE DIAMETER RANGE, PRODUCT VALIDATION, AND PRODUCT DEVIATIONS.

c. PACKAGING SPECIFICATION PER MOLEX DRAWING: PK-31300-635 (PK-33471-000 FOR 1X5)

d. PARTS MUST BE IN COMPLIANCE TO MOLEX CHEMICAL SUBSTANCES FOR PRODUCTS AND PACKAGING SPECIFICATION: QEHS-699000-300

e. DATA MUST BE SUBMITTED UNDER THE MOLEX PART NUMBER TO IMDS (COMPANY ID#13255)

2. DESIGN - MATERIALS:

a. FOR BILL OF MATERIALS SEE:

- STANDARD CONFIGURATION: TBD
- UL V0 CONFIGURATION: SD-160106-0002

3. DESIGN - GEOMETRY:

a. THE 3-D CAD DATA IS BASIC (WITHOUT TOLERANCE) AND MASTER FOR THIS PART WITH THE EXCEPTION OF UNDERLINED DIMENSIONS. DIMENSIONAL INFORMATION NOT SHOWN ON THIS DRAWING IS DEFINED BY THE DATA FILE AT ITS LATEST REVISION.

b. GEOMETRIC DIMENSIONS AND TOLERANCES PER ASME Y14.5M-2009

c. EDGES AND UNDIMENSIONED DETAILS PER ISO13715

d. CORNERS SHOWN AS SHARP TO BE R 0.2 MAX.

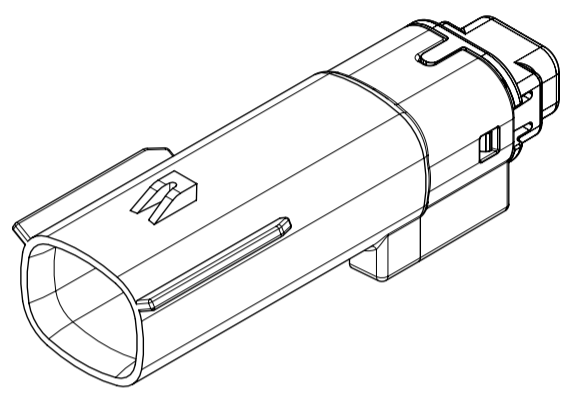
e. LETTERING SHALL BE 0.15 MAX RAISED IN 0.25 MAX RECESS PAD. THIS INCLUDES RECYCLING CODE, CAVITY ID, VENDOR IDENTIFICATION, AND CUSTOMER MATERIAL NUMBER.

f. VISUAL DEFECTS SHALL MEET COSMETIC STANDARD PS-45499-002 (Class B).

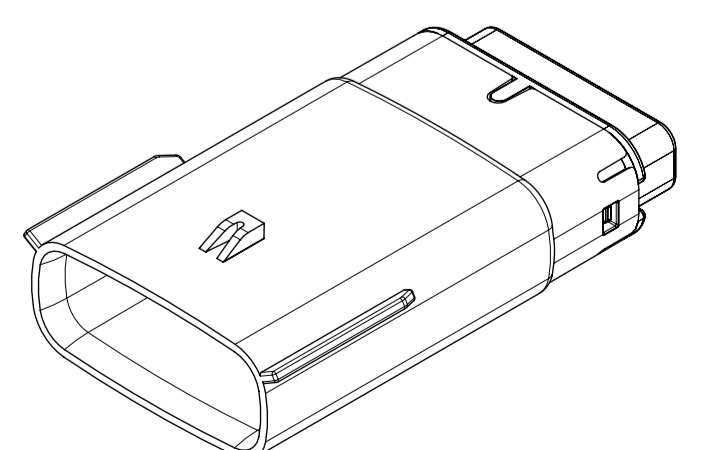
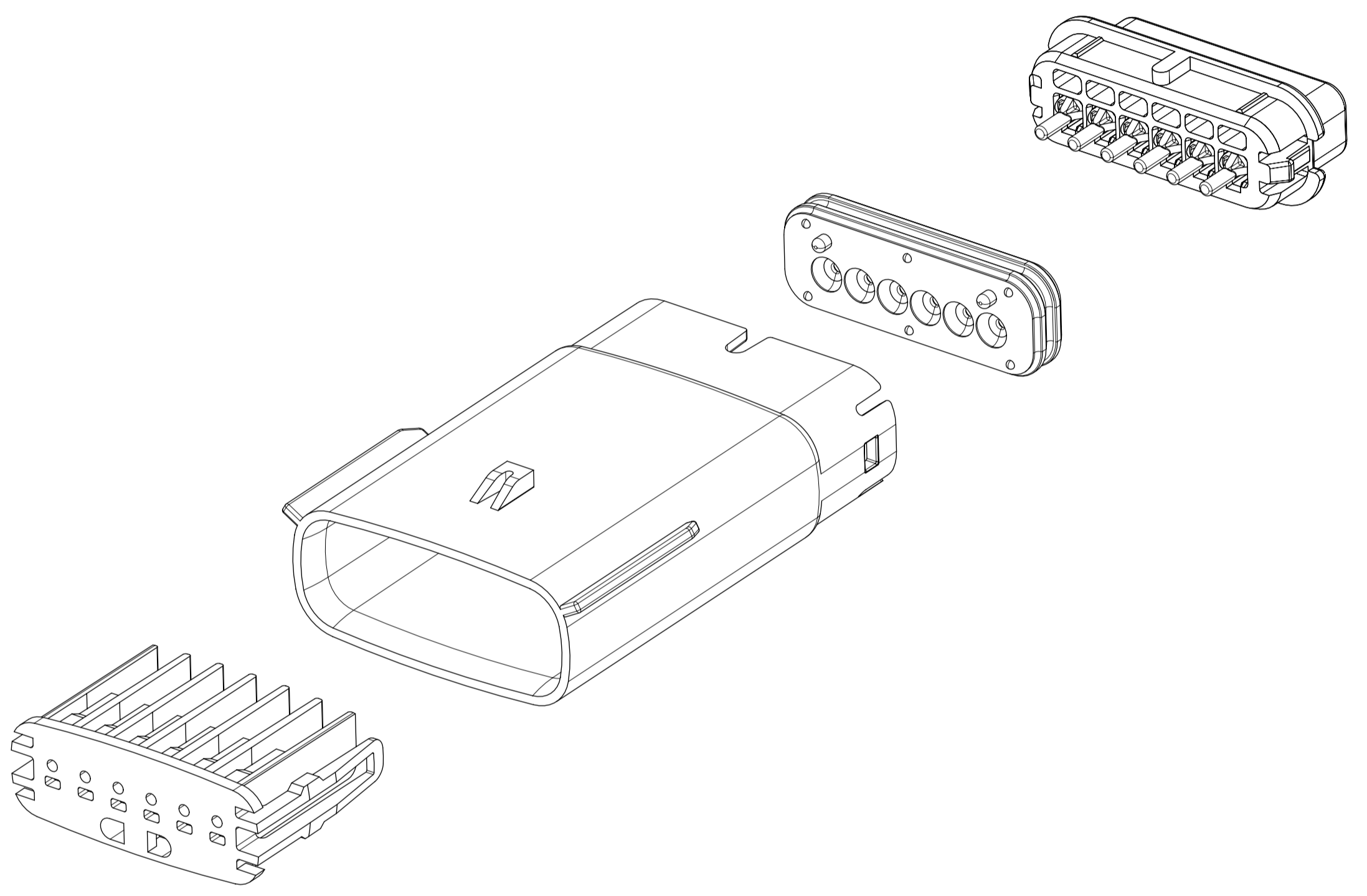
g. LASER MARKING:

- PART NUMBER
- DAY OF THE YEAR
- SHIFT
- YEAR

FOR ADDITIONAL INFORMATION SEE SECTION 5 UNDER PROCEDURES IN ES-34735-008.



1X2



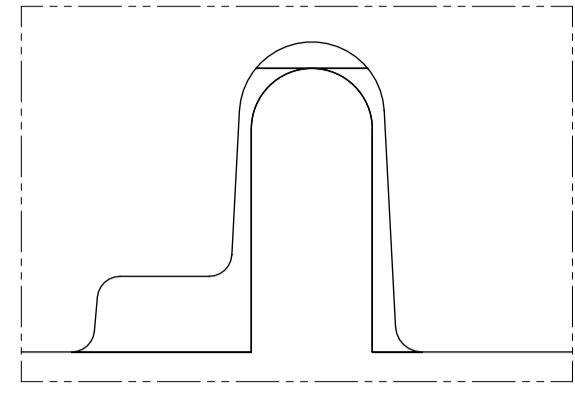
1X6

A2	CHANGE STANDARD CONFIGURATION TO TBD. SEE NOTES 2.a
A1	NX REMASTERING , CHANGE PS DRAWING NUMBER FROM PS-160105-0001 TO PS-160074-0001 IN NOTES 1.b
A	MINOR GEOMETRY CHANGE FOR UL V0
2	UPDATED VIEWSETS
1	INITIAL RELEASE
REV	REV DESCRIPTION

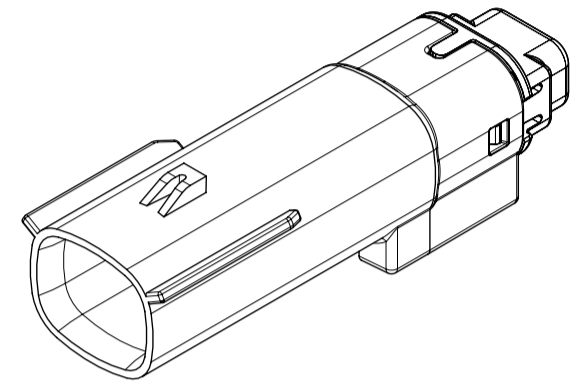
INSPECTION NUMBER LOG	
LAST NUMBER: 9	
ADDED:	
REMOVED:	

SYMBOLS		THIS DRAWING CONTAINS INFORMATION THAT IS PROPRIETARY TO MOLEX ELECTRONIC TECHNOLOGIES, LLC AND SHOULD NOT BE USED WITHOUT WRITTEN PERMISSION		CURRENT REV DESC:		molex		
	= 0	DIMENSION UNITS	SCALE	MM ONLY 1.5:1		MX150 BLADE SINGLE ROW SEALED ASSY		
	= 0	GENERAL TOLERANCES (UNLESS SPECIFIED)		EC NO: CO-000012501		PRODUCT SALES DRAWING		
	= 0	ANGULAR TOL ± 0.5°		DRWN: Yann Chen 02-Sep-2022		DOCUMENT NUMBER		
	= 0	4 PLACES ± 0		CHK'D: Matt Young 08-May-2024		DOC TYPE DOC PART REVISION		
	= 0	3 PLACES ± 0		APPR: Elvis Song 10-May-2024		SD-33481-0001 PSD 001 A2		
	= 0	2 PLACES ± 0		INITIAL REVISION:		MATERIAL NUMBER		
	= 0	1 PLACE ± 0		DRWN: APROFFITT 2015/07/21		CUSTOMER		
	= 0	0 PLACES ± 0		APPR: KDEKOSKI 2016/06/14		GENERAL MARKET		
	= 0	DRAFT WHERE APPLICABLE MUST REMAIN WITHIN DIMENSIONS		THIRD ANGLE PROJECTION	DRAWING	SERIES	SHEET NUMBER	
	= 0				A1-SIZE	33481	1 OF 9	

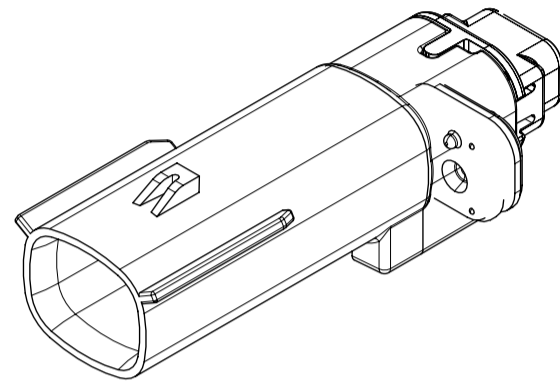
SHEET DESCRIPTION
CONFIGURATIONS



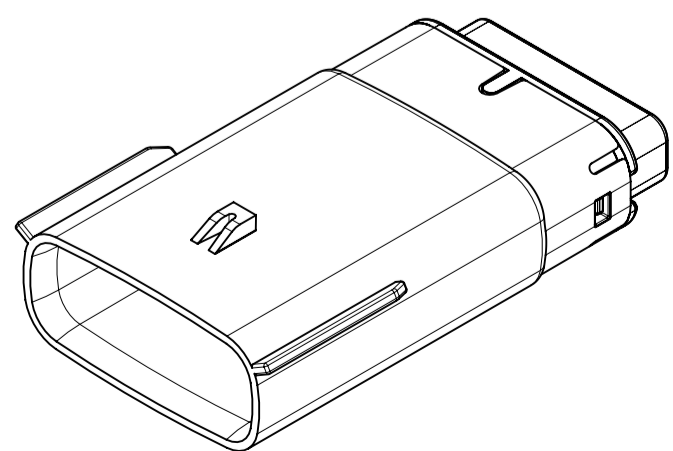
UL V0 UNIQUE FEATURE
Partial1
SCALE 10:1



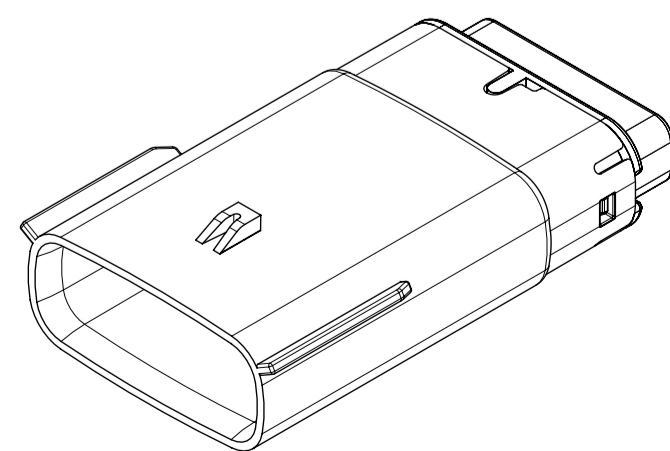
1x2 - STD



1X2 - UL V0*



1x6 - STD

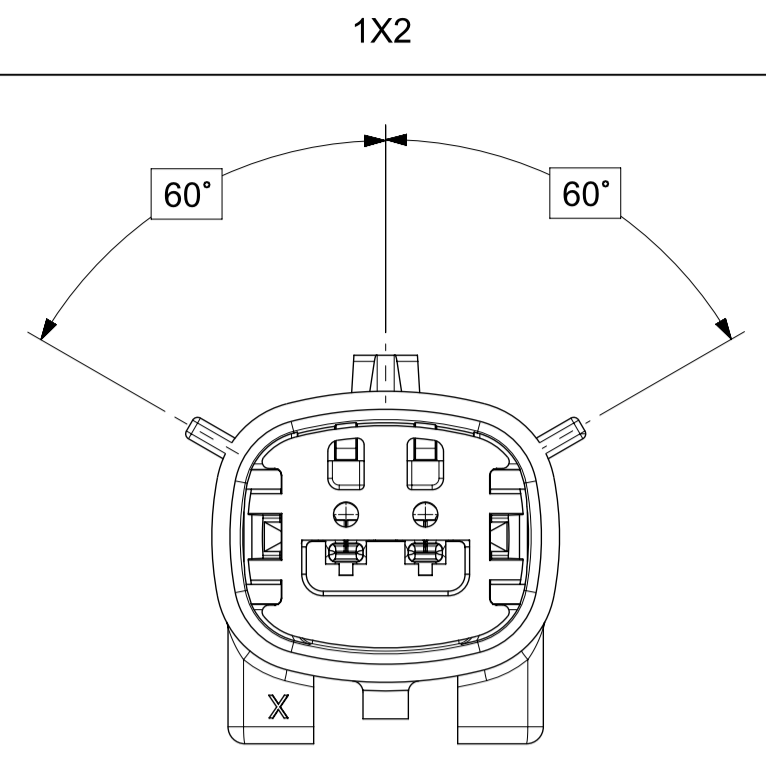


1x6 - UL V0*

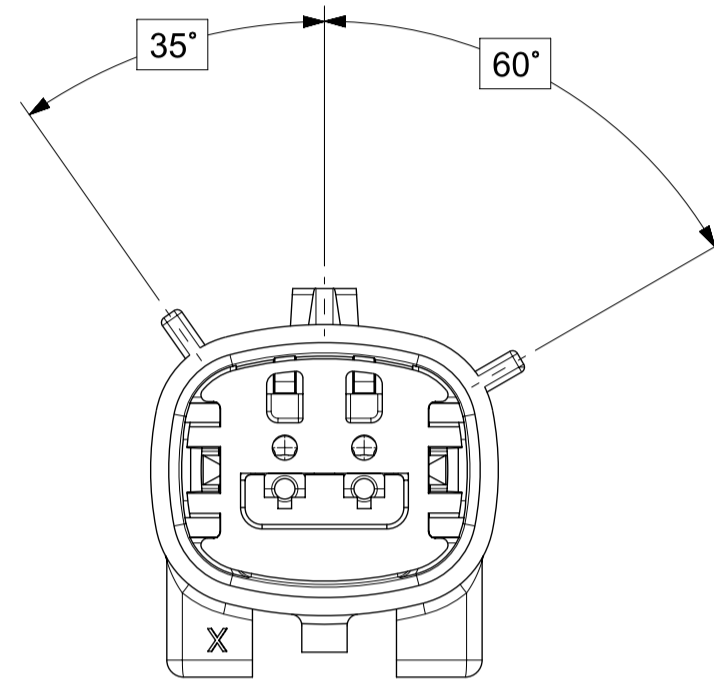
* MINOR GEOMETRY DIFFERENCE THAN STANDARD CONFIGURATION.
SEE NOTES 1 & 2 FOR MORE INFORMATION

SYMBOLS		THIS DRAWING CONTAINS INFORMATION THAT IS PROPRIETARY TO MOLEX ELECTRONIC TECHNOLOGIES, LLC AND SHOULD NOT BE USED WITHOUT WRITTEN PERMISSION		CURRENT REV DESC:		molex			
DIMENSION UNITS	SCALE								
= 0	MM ONLY	1.5:1				MX150 BLADE SINGLE ROW SEALED ASSY			
= 0	GENERAL TOLERANCES (UNLESS SPECIFIED)				PRODUCT SALES DRAWING				
= 0	ANGULAR TOL	± 0.5°		EC NO: CO-000012501				DOCUMENT NUMBER: SD-33481-0001 DOC TYPE: PSD DOC PART: 001 REVISION: A2	
= 0	4 PLACES	± 0		DRWN: Yann Chen 02-Sep-2022		MATERIAL NUMBER: SEE NOTE 2a. CUSTOMER: GENERAL MARKET SHEET NUMBER: 2 OF 9			
= 0	3 PLACES	± 0		CHK'D: Matt Young 08-May-2024					SERIES: 33481
= 0	2 PLACES	± 0		APPR: Elvis Song 10-May-2024		THIRD ANGLE PROJECTION			
= 0	1 PLACE	± 0		INITIAL REVISION:					DRAWING: A1-SIZE
= 0	0 PLACES	± 0		DRWN: APROFFITT 2015/07/21		DRAWING: A1-SIZE			
= 0	DRAFT WHERE APPLICABLE MUST REMAIN WITHIN DIMENSIONS				APPR: KDEKOSKI 2016/06/14				SERIES: 33481
= 0							THIRD ANGLE PROJECTION		

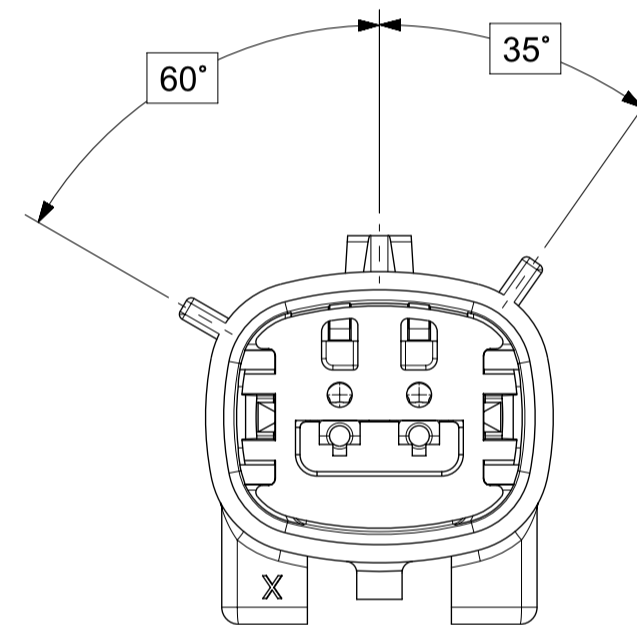
SHEET DESCRIPTION
KEY CONFIGURATIONS



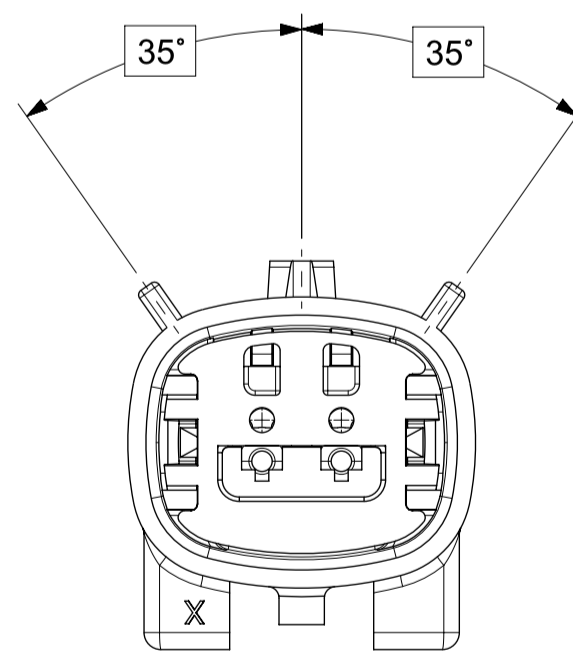
KEY A



KEY B



KEY C

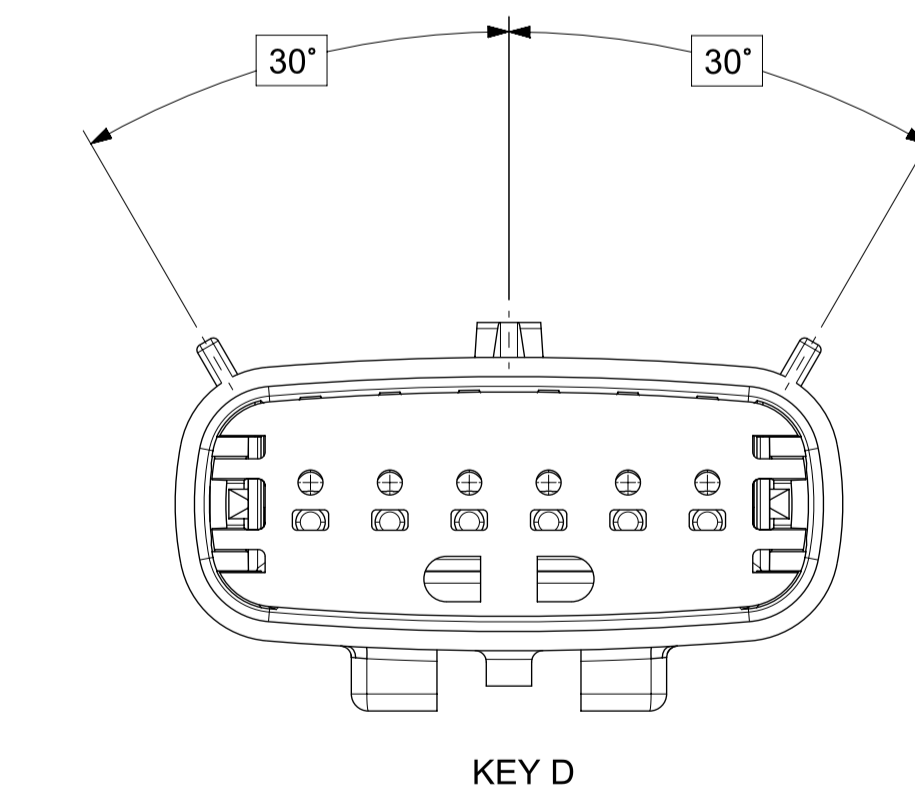
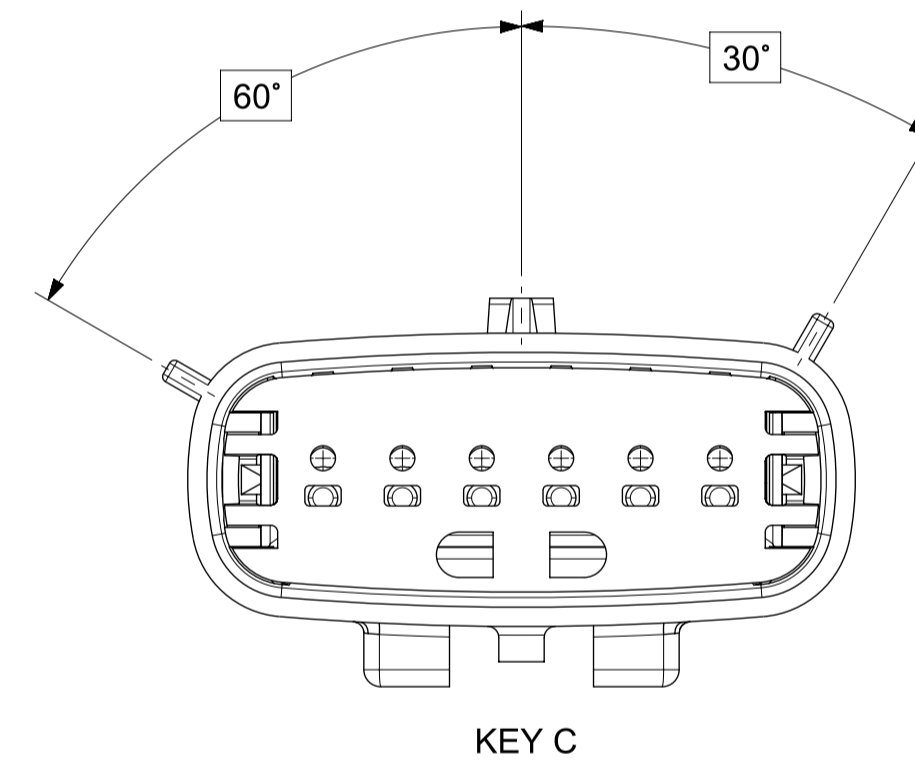
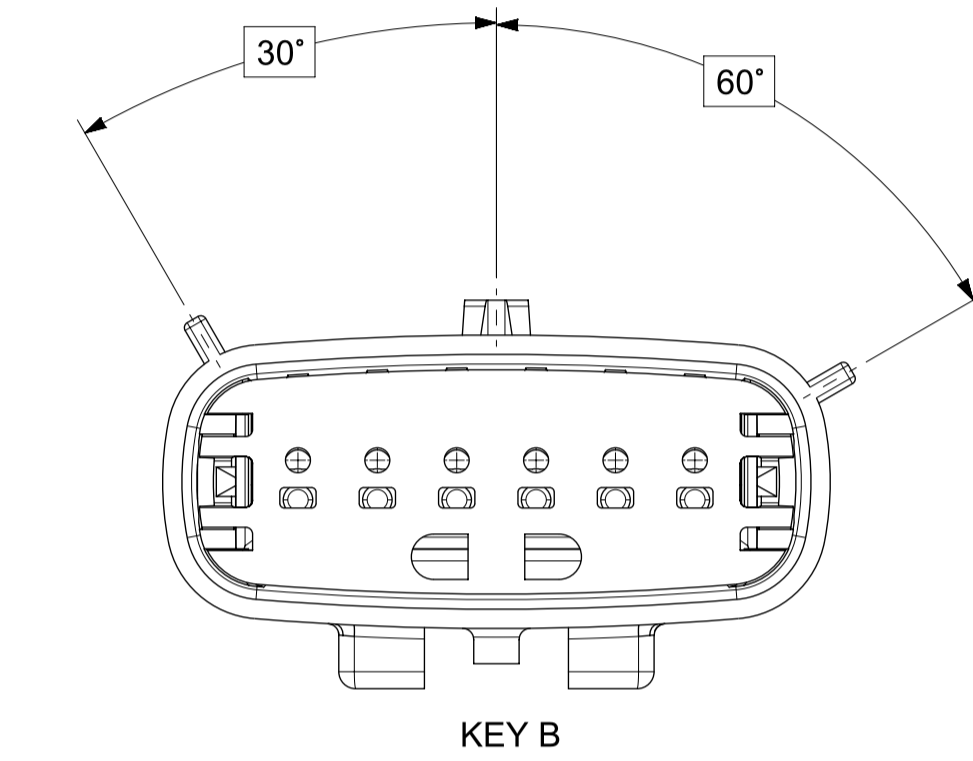
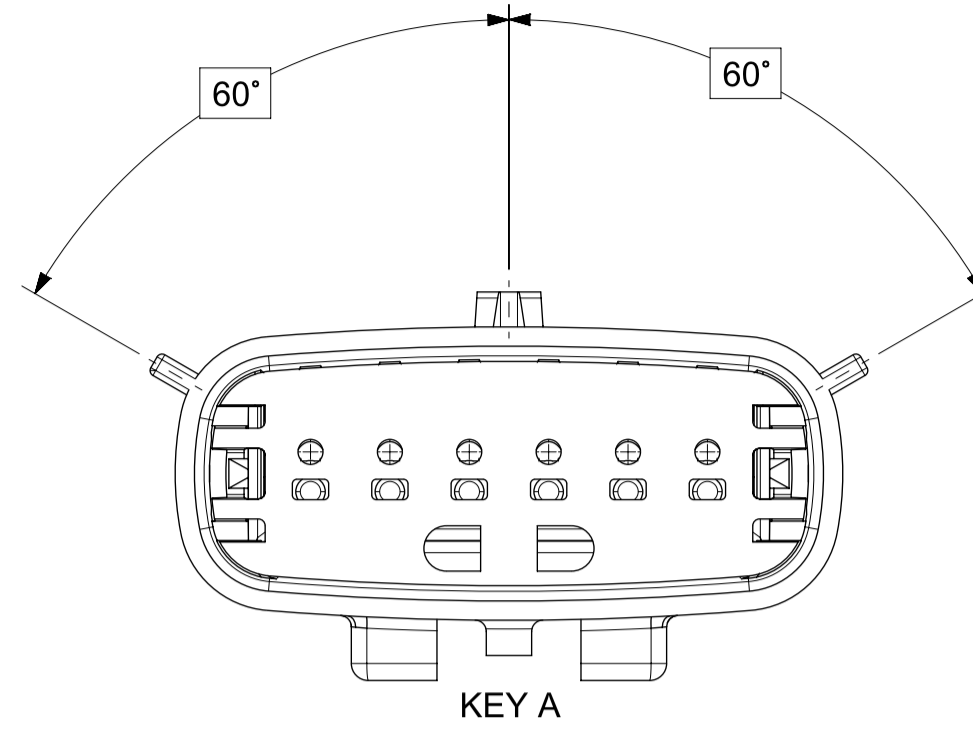


KEY D

SYMBOLS = 0 = 0 = 0 = 0 = 0 = 0 = 0 = 0	THIS DRAWING CONTAINS INFORMATION THAT IS PROPRIETARY TO MOLEX ELECTRONIC TECHNOLOGIES, LLC AND SHOULD NOT BE USED WITHOUT WRITTEN PERMISSION		CURRENT REV DESC: EC NO: CO-000012501 DRWN: Yann Chen 02-Sep-2022 CHK'D: Matt Young 08-May-2024 APPR: Elvis Song 10-May-2024		 MX150 BLADE SINGLE ROW SEALED ASSY			
	DIMENSION UNITS: MM ONLY SCALE: 3:1	GENERAL TOLERANCES (UNLESS SPECIFIED) ANGULAR TOL ± 0.5°		INITIAL REVISION: DRWN: APROFFITT 2015/07/21 APPR: KDEKOSKI 2016/06/14				DOCUMENT NUMBER SD-33481-0001
DRAFT WHERE APPLICABLE MUST REMAIN WITHIN DIMENSIONS	THIRD ANGLE PROJECTION 	DRAWING A1-SIZE	SERIES 33481	MATERIAL NUMBER SEE NOTE 2a.	CUSTOMER GENERAL MARKET	SHEET NUMBER 3 OF 9		

SHEET DESCRIPTION
KEY CONFIGURATIONS CONT.

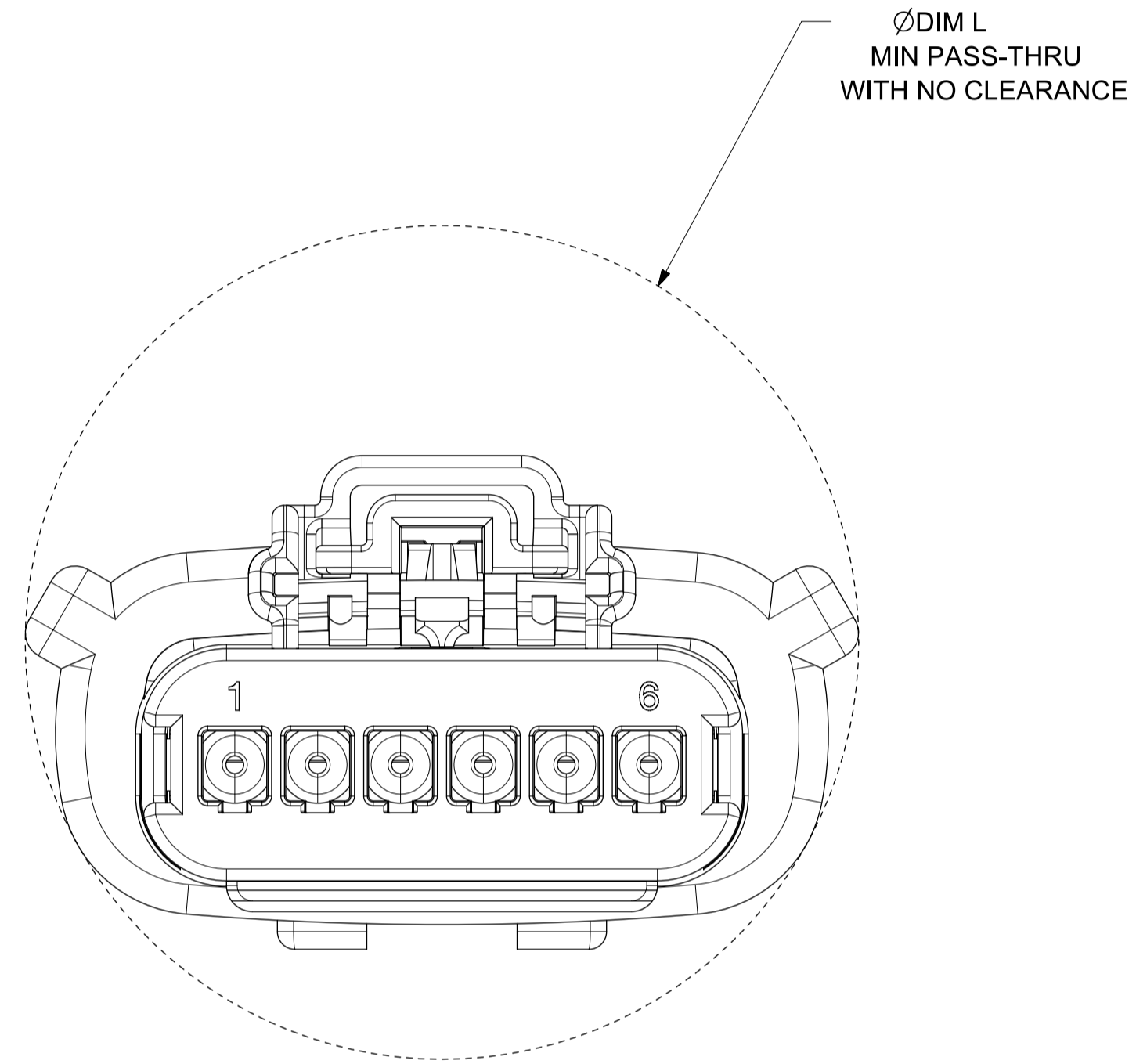
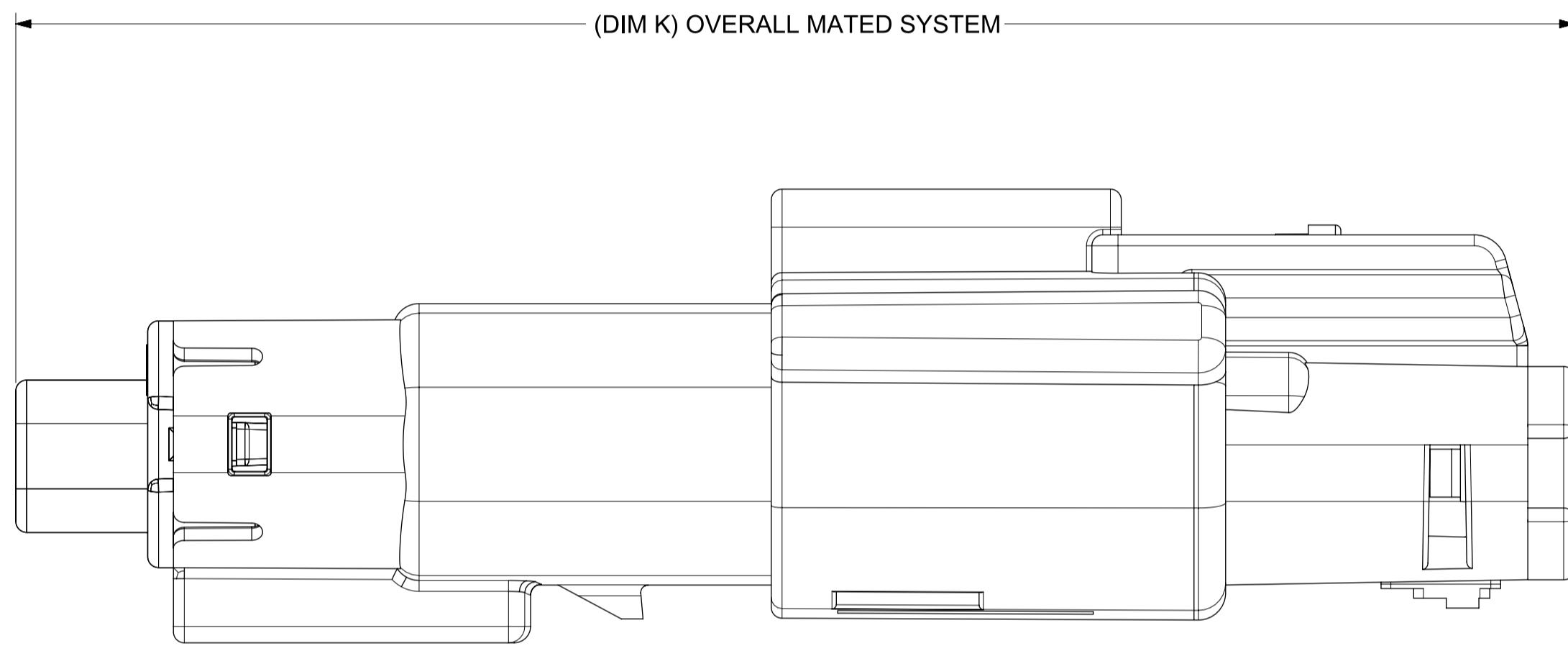
1X6



SYMBOLS = 0 = 0 = 0 = 0 = 0 = 0 = 0 = 0 = 0	THIS DRAWING CONTAINS INFORMATION THAT IS PROPRIETARY TO MOLEX ELECTRONIC TECHNOLOGIES, LLC AND SHOULD NOT BE USED WITHOUT WRITTEN PERMISSION		CURRENT REV DESC: EC NO: CO-000012501 DRWN: Yann Chen 02-Sep-2022 CHK'D: Matt Young 08-May-2024 APPR: Elvis Song 10-May-2024		 MX150 BLADE SINGLE ROW SEALED ASSY			
	DIMENSION UNITS MM ONLY	SCALE 3:1	GENERAL TOLERANCES (UNLESS SPECIFIED) ANGULAR TOL ± 0.5°					PRODUCT SALES DRAWING
4 PLACES ± 0 3 PLACES ± 0 2 PLACES ± 0 1 PLACE ± 0 0 PLACES ± 0	DRAFT WHERE APPLICABLE MUST REMAIN WITHIN DIMENSIONS		THIRD ANGLE PROJECTION	DRAWING A1-SIZE	SERIES 33481	MATERIAL NUMBER SEE NOTE 2a.	CUSTOMER GENERAL MARKET	SHEET NUMBER 4 OF 9
DOCUMENT STATUS Production RELEASE DATE 10-May-2024 15:02:02			INITIAL REVISION: DRWN: APROFFITT 2015/07/21 APPR: KDEKOSKI 2016/06/14		DOCUMENT NUMBER SD-33481-0001	DOC TYPE DOC PART REVISION PSD 001 A2		

SHEET DESCRIPTION
SYSTEM PACKAGING

CHARTED DIMENSIONS				
CKT	BLADE CONFIGURATION	RECEPTACLE CONFIGURATION	DIMENSIONS	
			K	L
1X2	STANDARD	STANDARD	73.85	23.37
1X6	STANDARD	STANDARD	72.71	35.38



SYMBOLS = 0 = 0 = 0 = 0 = 0 = 0 = 0 = 0 = 0 = 0	THIS DRAWING CONTAINS INFORMATION THAT IS PROPRIETARY TO MOLEX ELECTRONIC TECHNOLOGIES, LLC AND SHOULD NOT BE USED WITHOUT WRITTEN PERMISSION DIMENSION UNITS: MM ONLY SCALE: 4:1		CURRENT REV DESC: EC NO: CO-000012501 DRWN: Yann Chen 02-Sep-2022 CHK'D: Matt Young 08-May-2024 APPR: Elvis Song 10-May-2024		 MX150 BLADE SINGLE ROW SEALED ASSY					
	GENERAL TOLERANCES (UNLESS SPECIFIED) ANGULAR TOL ± 0.5°		INITIAL REVISION: DRWN: APROFFITT 2015/07/21 APPR: KDEKOSKI 2016/06/14					PRODUCT SALES DRAWING		
	4 PLACES ± 0 3 PLACES ± 0 2 PLACES ± 0 1 PLACE ± 0 0 PLACES ± 0		DRAFT WHERE APPLICABLE MUST REMAIN WITHIN DIMENSIONS		THIRD ANGLE PROJECTION		DRAWING: A1-SIZE SERIES: 33481		DOCUMENT NUMBER: SD-33481-0001 DOC TYPE: PSD DOC PART: 001 REVISION: A2	
	MATERIAL NUMBER: SEE NOTE 2a. CUSTOMER: GENERAL MARKET SHEET NUMBER: 6 OF 9									

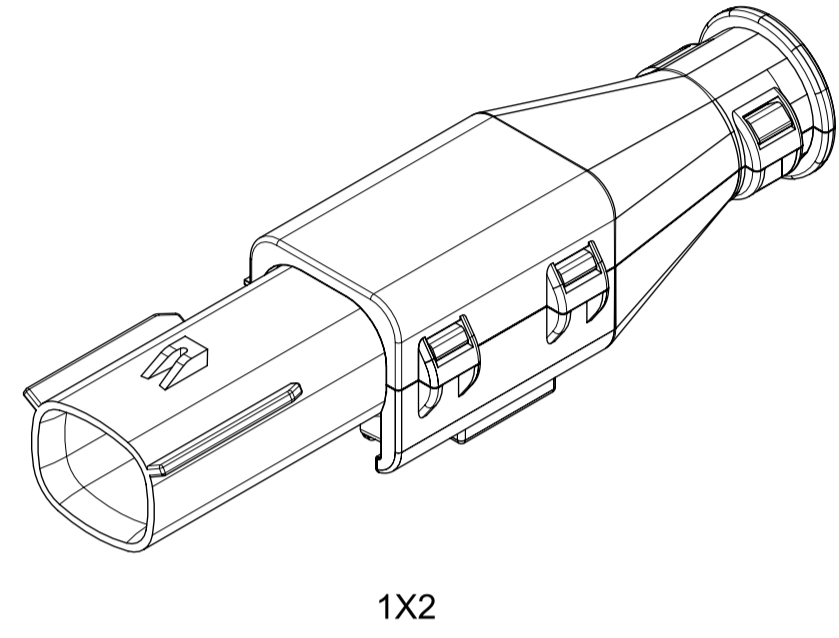
SHEET DESCRIPTION
BACKSHELL NOTES

BACKSHELL NOTES: VALID UNLESS OTHERWISE SPECIFIED

1. GENERAL:
a. APPLICATION SPECIFICATION SEE: AS-34951-001
-DESIGNED TO MATE WITH BLADE SEALED ASSEMBLY SPECIFIED IN MOLEX DRAWING SD-33481-0001.
-SYSTEM TO BE USED WITH WIRE WITHIN DIAMETER RANGE OF 1.2mm TO 2.69mm.
-COMPONENTS ARE OPTIONAL AND MUST BE PURCHASED SEPERATELY.
-BACKSHELL DESIGN IS OWNED BY SChLEMMER.
-FOR ADDITIONAL INFORMATION SEE THE BACKSHELL COMPONENT DRAWING SD-34948-0001.

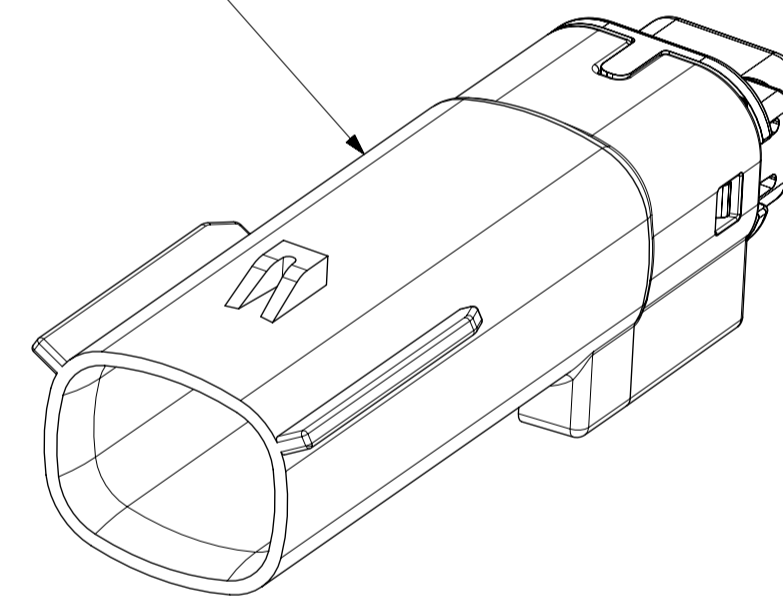
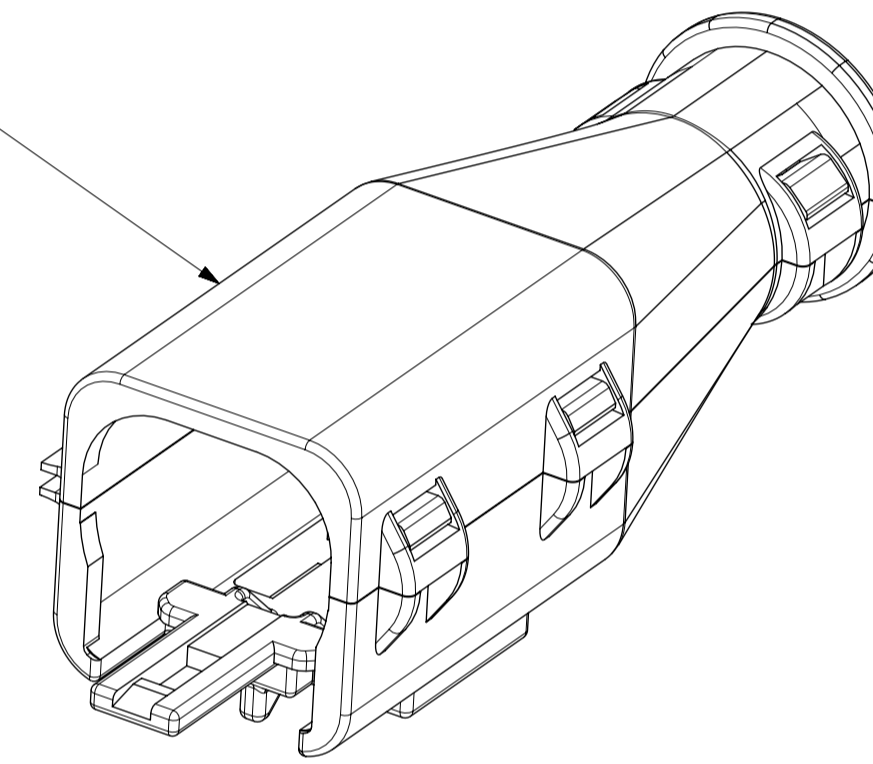
BACKSHELL CUSTOMER MODEL NUMBER LEGEND

- 34948-XXXX
- CUSTOMER MODEL COMPONENTS
 - 0 - BACKSHELL ONLY
 - 1 - BACKSHELL & MX150 HOUSING KEY A ASSEMBLY
 - 2 - BACKSHELL & MX150 HOUSING KEY B ASSEMBLY
 - 3 - BACKSHELL & MX150 HOUSING KEY C ASSEMBLY
 - 4 - BACKSHELL & MX150 HOUSING KEY D ASSEMBLY
 - BACKSHELL FEATURES
 - 1 - WITH RIBS
 - 2 - WITHOUT RIBS
 - MX150 CIRCUIT SIZE 02, 03, 04, 05, 06



BACKSHELL (BKS)

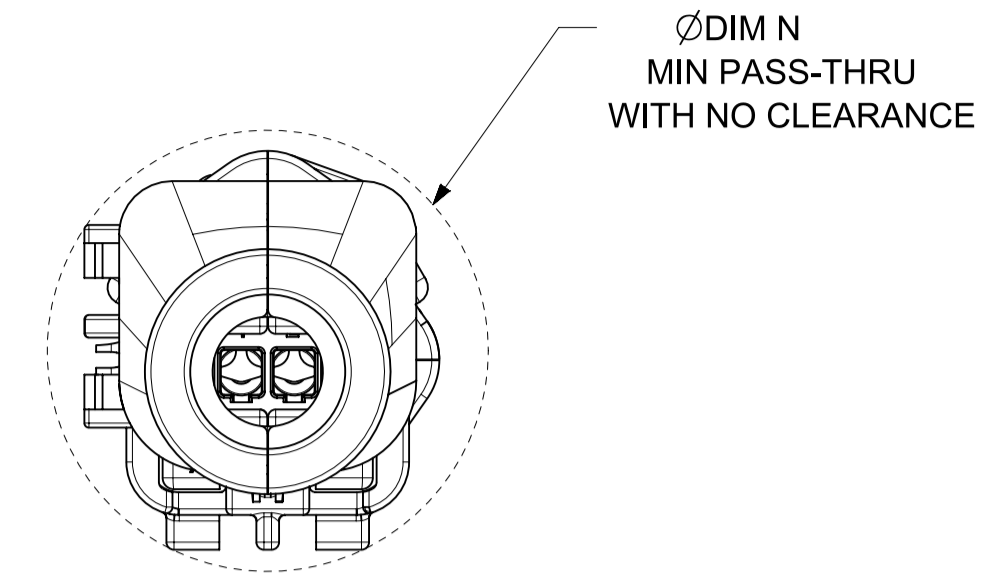
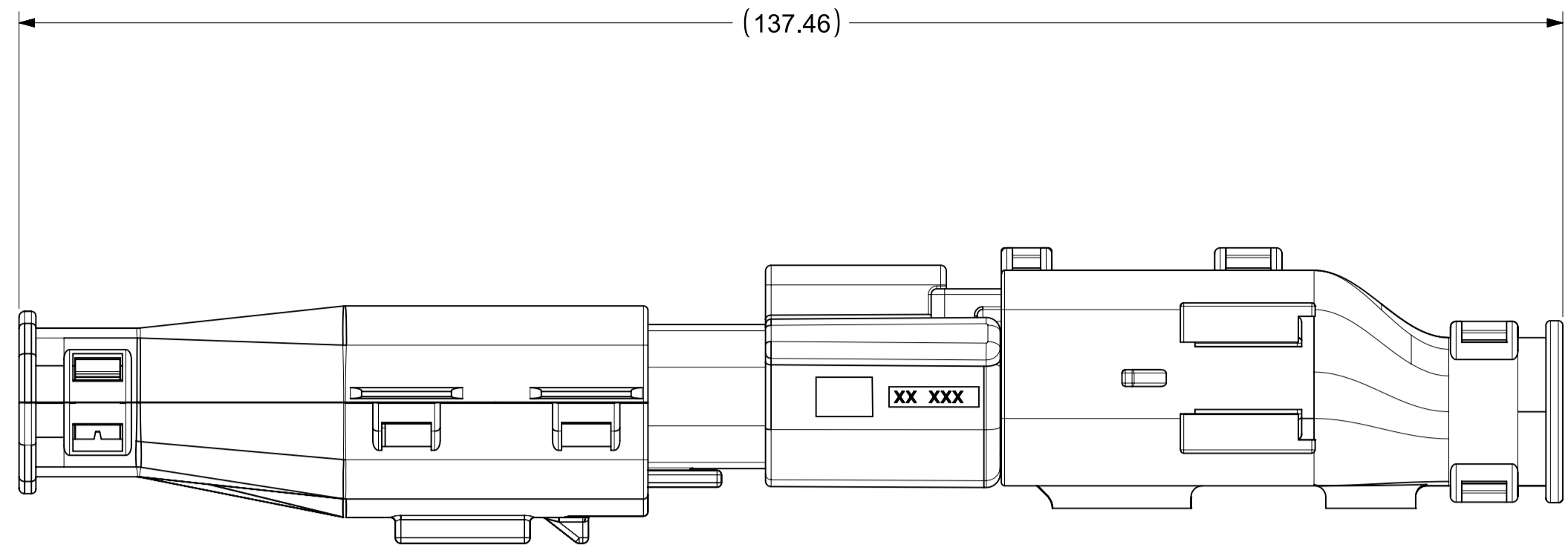
BLADE SEALED ASSEMBLY



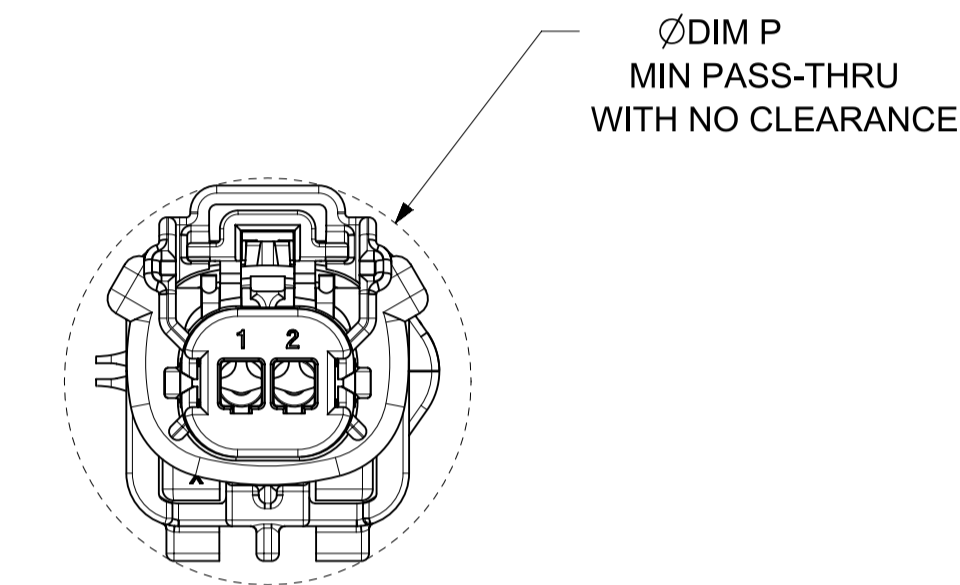
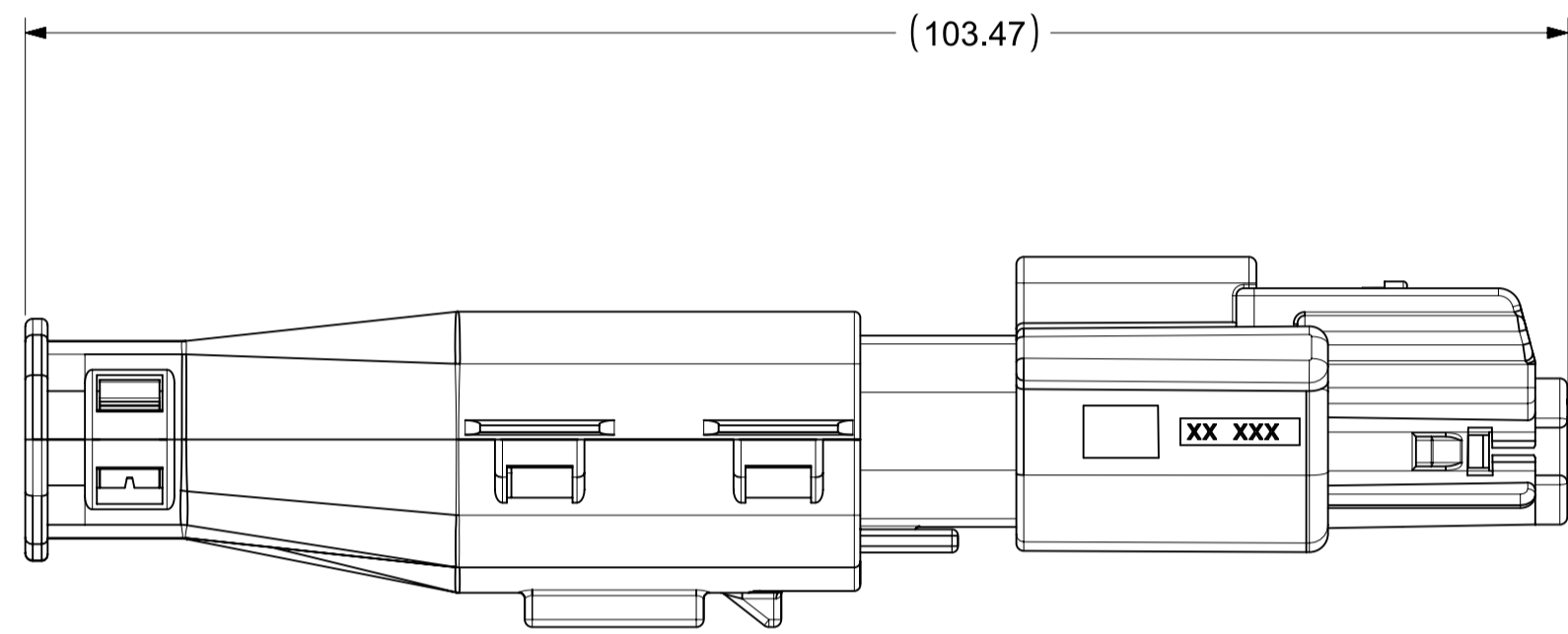
SYMBOLS	THIS DRAWING CONTAINS INFORMATION THAT IS PROPRIETARY TO MOLEX ELECTRONIC TECHNOLOGIES, LLC AND SHOULD NOT BE USED WITHOUT WRITTEN PERMISSION		CURRENT REV DESC:						
DIMENSION UNITS	SCALE	EC NO: CO-000012501		DOCUMENT NUMBER		DOC TYPE	DOC PART	REVISION	
▽ = 0	MM ONLY	4:1	DRWN: Yann Chen 02-Sep-2022		SD-33481-0001		PSD	001	A2
▽ = 0	GENERAL TOLERANCES (UNLESS SPECIFIED)		CHK'D: Matt Young 08-May-2024		PRODUCT SALES DRAWING				
▽ = 0	ANGULAR TOL ± 0.5°		APPR: Elvis Song 10-May-2024		INITIAL REVISION:				
▽ = 0	4 PLACES	± 0	DRWN: APROFFITT 2015/07/21		2016/06/14				
▽ = 0	3 PLACES	± 0	APPR: KDEKOSKI		MATERIAL NUMBER		CUSTOMER		SHEET NUMBER
▽ = 0	2 PLACES	± 0	DRAFT WHERE APPLICABLE MUST REMAIN WITHIN DIMENSIONS		A1-SIZE		33481		7 OF 9
▽ = 0	1 PLACE	± 0	THIRD ANGLE PROJECTION		DRAWING		SERIES		
▽ = 0	0 PLACES	± 0	SEE NOTE 2a.		GENERAL MARKET				

SHEET DESCRIPTION
BACKSHELL CONFIGURATIONS

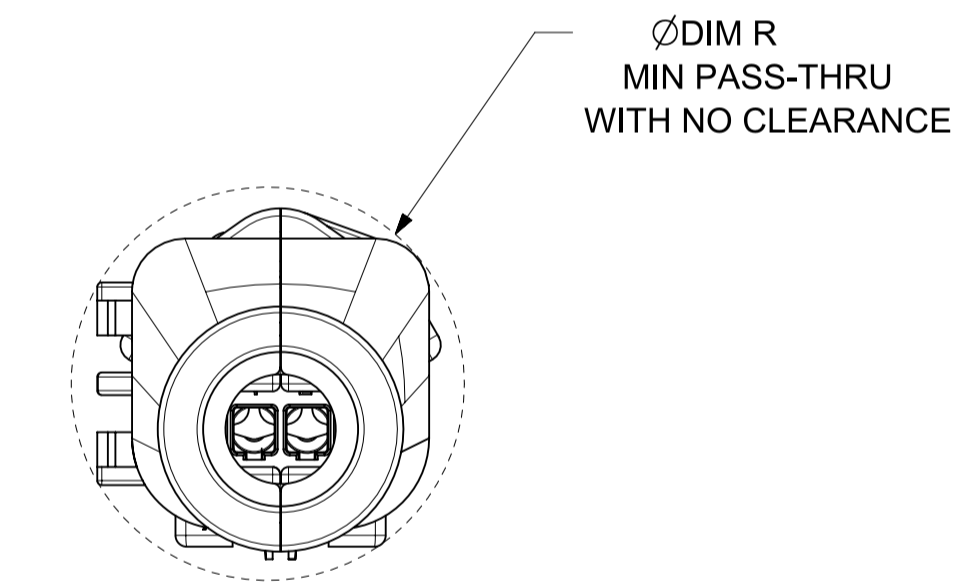
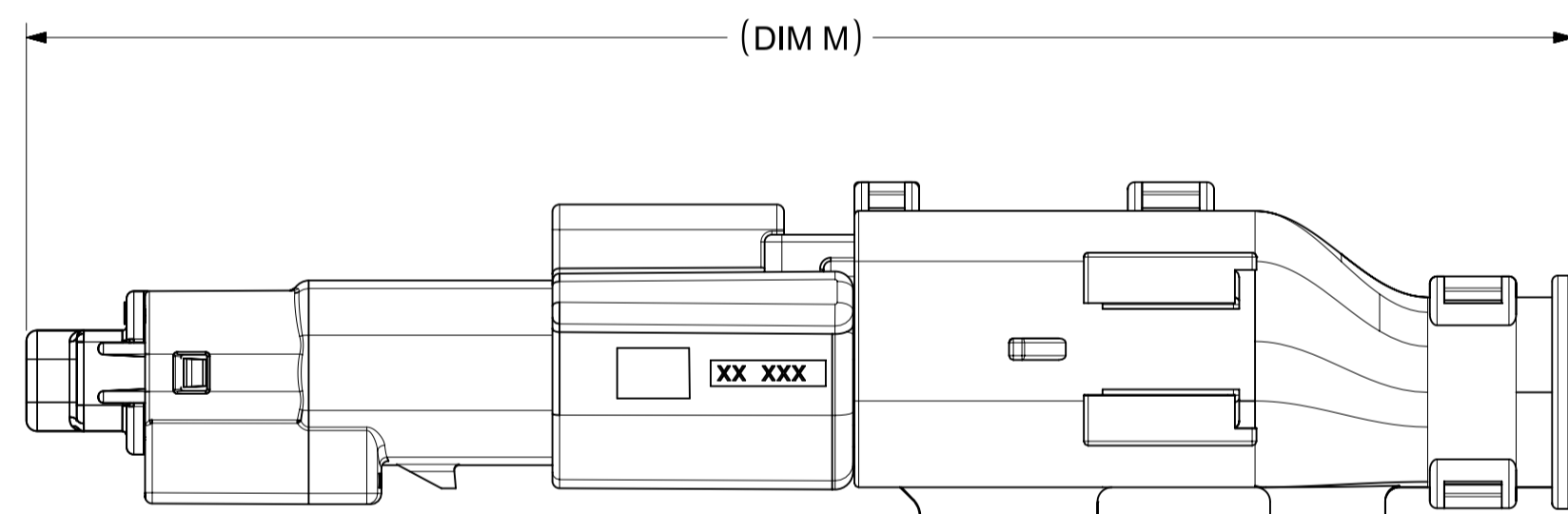
CKT	BLADE CONFIGURATION	RECEPTACLE CONFIGURATION	DIMENSIONS				
			M	N	P	R	S
1X2	STANDARD	STANDARD	107.84	29.50	27.00	26.25	25.00



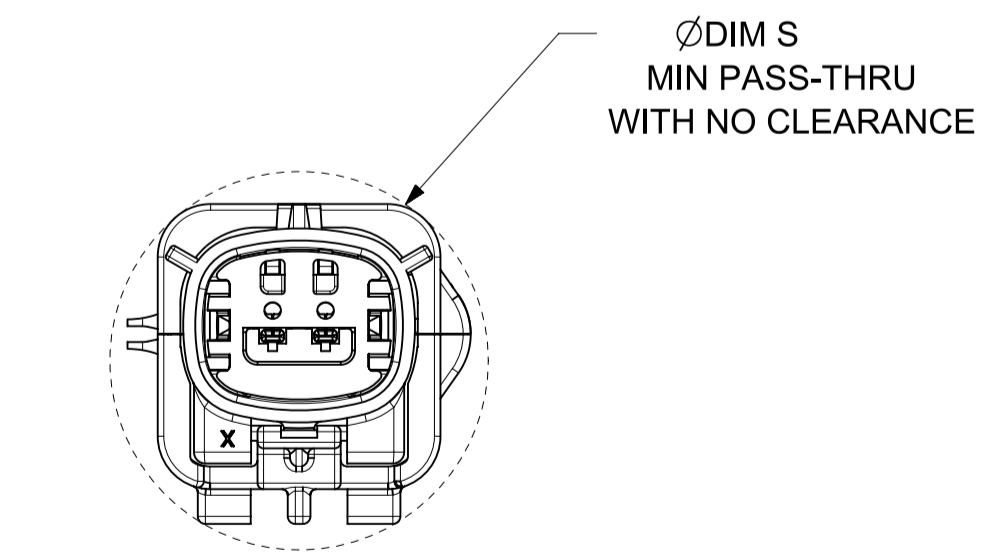
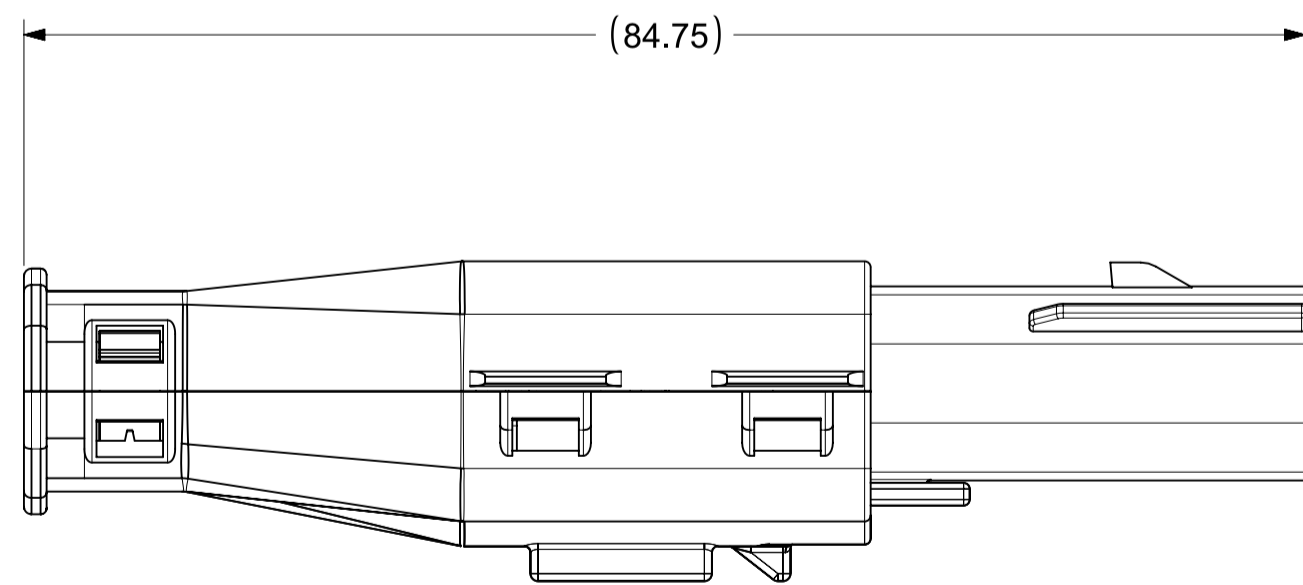
OVERALL MATED SYSTEM WITH BLADE AND RECEPTACLE BACKSHELL



OVERALL MATED SYSTEM WITH BLADE BACKSHELL



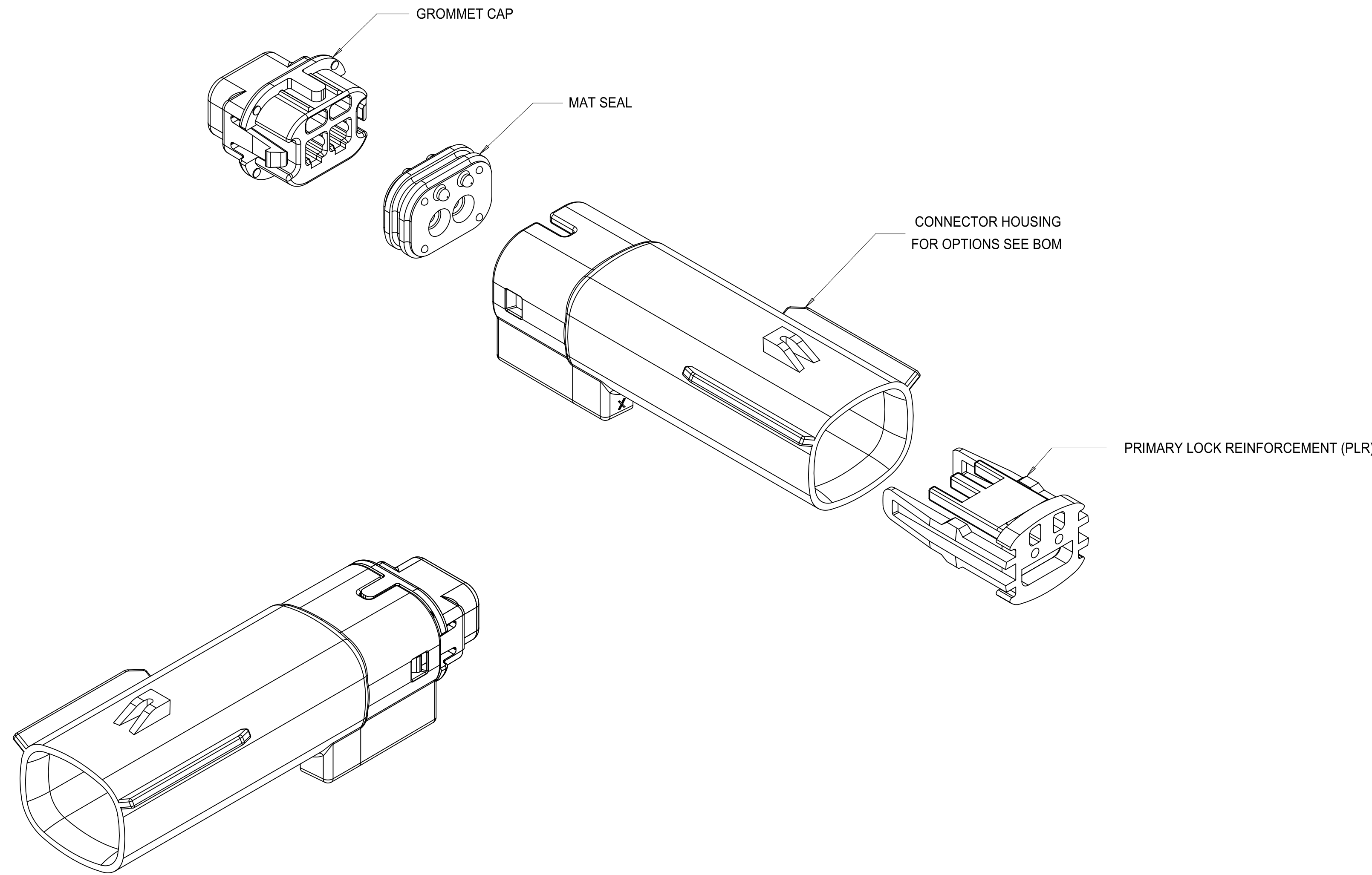
OVERALL MATED SYSTEM WITH RECEPTACLE BACKSHELL



BLADE SEALED ASSEMBLY WITH BLADE BACKSHELL

SYMBOLS = 0 = 0 = 0 = 0 = 0 = 0 = 0 = 0 = 0 = 0 = 0	THIS DRAWING CONTAINS INFORMATION THAT IS PROPRIETARY TO MOLEX ELECTRONIC TECHNOLOGIES, LLC AND SHOULD NOT BE USED WITHOUT WRITTEN PERMISSION DIMENSION UNITS: MM ONLY SCALE: 2:1 GENERAL TOLERANCES (UNLESS SPECIFIED) ANGULAR TOL: ± 0.5° 4 PLACES: ± 0 3 PLACES: ± 0 2 PLACES: ± 0 1 PLACE: ± 0 0 PLACES: ± 0 DRAFT WHERE APPLICABLE MUST REMAIN WITHIN DIMENSIONS	CURRENT REV DESC: EC NO: CO-000012501 DRWN: Yann Chen 02-Sep-2022 CHK'D: Matt Young 08-May-2024 APPR: Elvis Song 10-May-2024 INITIAL REVISION: DRWN: APROFFITT 2015/07/21 APPR: KDEKOSKI 2016/06/14	 MX150 BLADE SINGLE ROW SEALED ASSY PRODUCT SALES DRAWING
	DOCUMENT NUMBER: SD-33481-0001 DOC TYPE: PSD DOC PART: 001 REVISION: A2	MATERIAL NUMBER: SEE NOTE 2a. CUSTOMER: GENERAL MARKET SHEET NUMBER: 9 OF 9	

SHEET NO.	SHEET DESCRIPTION
1	NOTES
2	KEY CONFIGURATIONS
3	BLADE SEALED ASSEMBLY
4	SYSTEM PACKAGING
5	BACKSHELL NOTES
6	BACKSHELL
7	BACKSHELL CONFIGURATIONS
8-9	BOM



NOTES: VALID UNLESS OTHERWISE SPECIFIED

1. GENERAL:
 - a. APPLICATION SPECIFICATION SEE: AS-33472-100
CONTAINS: PRODUCT INTRODUCTION, PRODUCT SUMMARY, CONNECTOR ASSEMBLY, PACKAGING INFORMATION, CONNECTOR MATING, SERVICE INSTRUCTIONS, ELECTRICAL CONTINUITY CHECKING, CRIMPING, AND TROUBLESHOOTING.
-DESIGNED TO MATE WITH RECEPTACLE SEALED ASSEMBLY SPECIFIED IN MOLEX DRAWING SD-33471-021.
-FOR 1.5mm BLADE TERMINALS TO BE USED WITH THIS ASSEMBLY SEE MOLEX DRAWING SD-33000-001.
- SYSTEM TO BE USED WITH WIRE WITHIN DIAMETER RANGE OF 1.2mm TO 2.69mm.
-ASSEMBLY SHIPPED WITH PLR IN PRE-LOCK POSITION
-IN THE EVENT THAT THE PLR IS FOUND IN THE SEATED (FINAL LOCK) POSITION, REFER TO MOLEX SPECIFICATION PS-34646-001, AVAILABLE AT www.molex.com <<http://www.molex.com>>
-ASSEMBLY CONFORMS TO SAE/USCAR-2 REV.4 WITH THE FOLLOWING EXCEPTIONS: TERMINAL INSERTION FORCE FOR WIRE DIAMETER ABOVE 2.5mm NOT EXCEEDING 2.69mm SHALL NOT EXCEED 40 NEWTONS.
 - b. PRODUCT SPECIFICATION SEE: PS-33471-000
CONTAINS: PRODUCT INTRODUCTION, PRODUCT SUMMARY, RATINGS (CURRENT, TEMPERATURE, SEALING, AND FLAMMABILITY), AND PRODUCT VALIDATION.
 - c. PACKAGING SPECIFICATION PER MOLEX DRAWING: PK-31300-635
 - d. PARTS MUST BE IN COMPLIANCE TO MOLEX CHEMICAL SUBSTANCES FOR PRODUCTS AND PACKAGING SPECIFICATION: ES-40000-5016
 - e. DATA MUST BE SUBMITTED UNDER THE MOLEX PART NUMBER TO IMDS (COMPANY ID#13255)
2. DESIGN - MATERIALS:
 - a. SEE BOM TABLE
3. DESIGN - GEOMETRY:
 - a. THIS IS A 100% CAD GENERATED PART. THE CAD MATHEMATICAL DATA IS THE MASTER FOR THIS PART. FOR DIMENSIONAL OR ANY INFORMATION NOT SHOWN ON THIS DRAWING, ANALYZE THE CAD MODEL.
 - b. GEOMETRIC DIMENSIONS AND TOLERANCES PER ASME Y14.5M - 1994
 - c. EDGES AND UNDIMENSIONED DETAILS PER ISO13715
 - d. CORNERS SHOWN AS SHARP TO BE R 0.2 MAX.
 - e. LETTERING SHALL BE 0.15 MAX RAISED IN 0.25 MAX RECESS PAD.
THIS INCLUDES RECYCLING CODE, CAVITY ID, VENDOR IDENTIFICATION, AND CUSTOMER MATERIAL NUMBER.
 - f. VISUAL DEFECTS SHALL MEET COSMETIC STANDARD PS-45499-002 (Class B)
 - g. LASER MARKING: TBD

A15	ADDED 334810212 PART NUMBER AND SWIM LINE ON SHEET 9
A14	UPDATED THE STATUS OF P/Ns ON SHEET 8 (33481-02XX) TO OBSOLETE PER PCN 512135
A13	UPDATED STATUS IN BOM
A12	ADD NEW P/N 33481-2201 TO 33481-2210
A10	ADD NEW P/N 33481-0210
A9	UPDATED VIEWSET & NOTES
A8	RENAMED BACKSHELLS
A7	REMOVED DIMENSION 57
A6	UPDATED NOTES
A5	UPDATED P/N ORDER IN BOM
A4	REDRAWN, ADDED BACKSHELL
REV	DESCRIPTION

INSPECTION LOG
LAST NUMBER USED: 57
ADDED:
REMOVED:

FUNCTIONAL SYMBOLS	THIS DRAWING CONTAINS INFORMATION THAT IS PROPRIETARY TO MOLEX ELECTRONIC TECHNOLOGIES, LLC AND SHOULD NOT BE USED WITHOUT WRITTEN PERMISSION		CURRENT REV DESC: ADDED NEW PART NUMBER 334810212	
$\frac{F}{A} = 0$	DIMENSION UNITS	SCALE		
$\frac{F}{C} = 0$	MM	3:1		
$\frac{F}{D} = 0$	GENERAL TOLERANCES (UNLESS SPECIFIED)			
	ANGULAR TOL	\pm	3°	
	4 PLACES	\pm		
	3 PLACES	\pm		
	2 PLACES	\pm	0.100	
	1 PLACE	\pm	0.20	
	0 PLACES	\pm		
	DRAFT WHERE APPLICABLE MUST REMAIN WITHIN DIMENSIONS		THIRD ANGLE PROJECTION	
			DRAWING	SERIES
			D-SIZE	33481
			MATERIAL NUMBER	CUSTOMER
			SEE BOM	GENERAL MARKET
			SHEET NUMBER	1 OF 9

molex

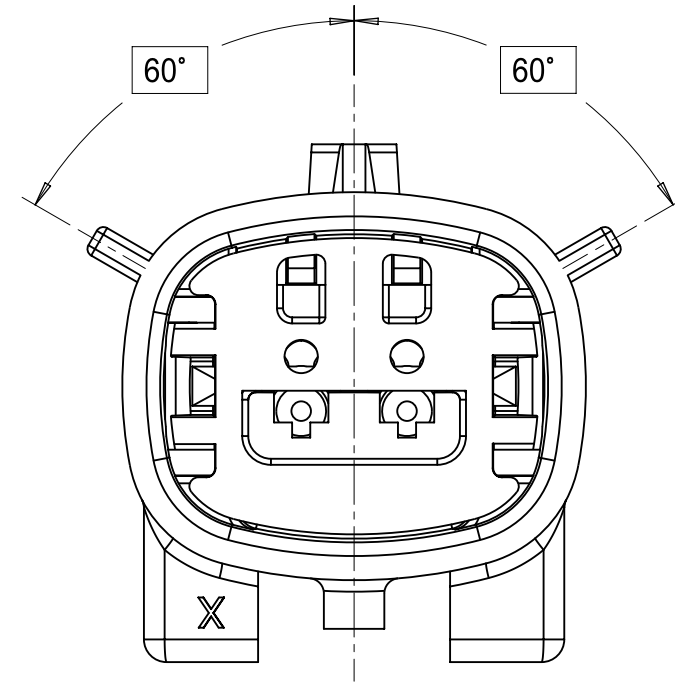
MX150 1X2 BLADE
SEALED ASSEMBLY MAT SEAL

PRODUCT CUSTOMER DRAWING

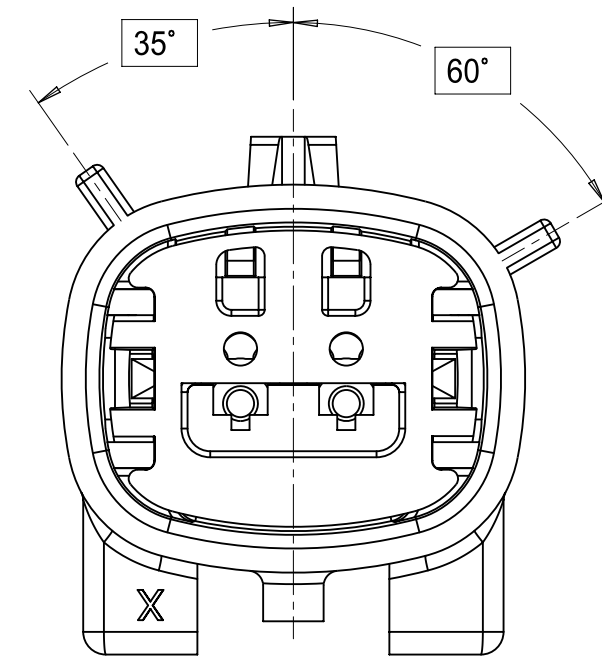
DOCUMENT NUMBER DOC TYPE DOC PART REVISION

SD-33481-021 PSD 001 A15

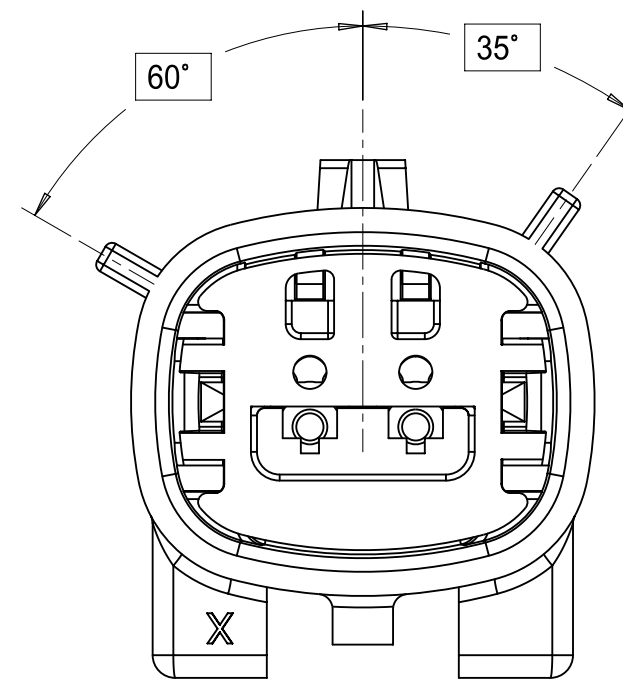
KEY CONFIGURATIONS



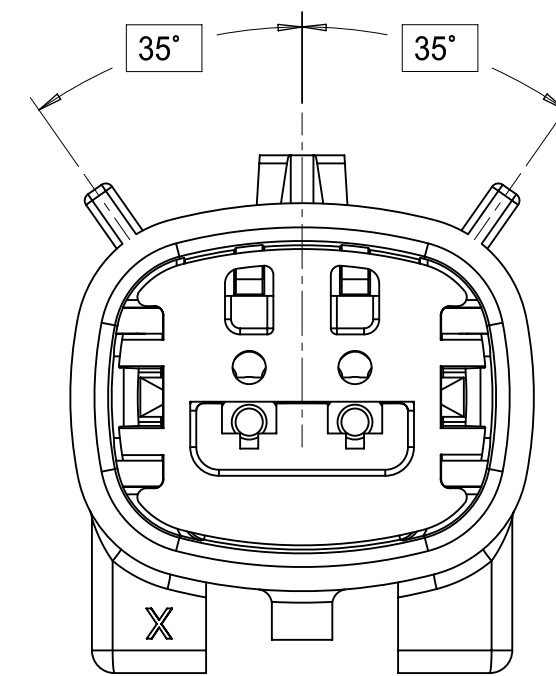
KEY A



KEY B



KEY C



KEY D

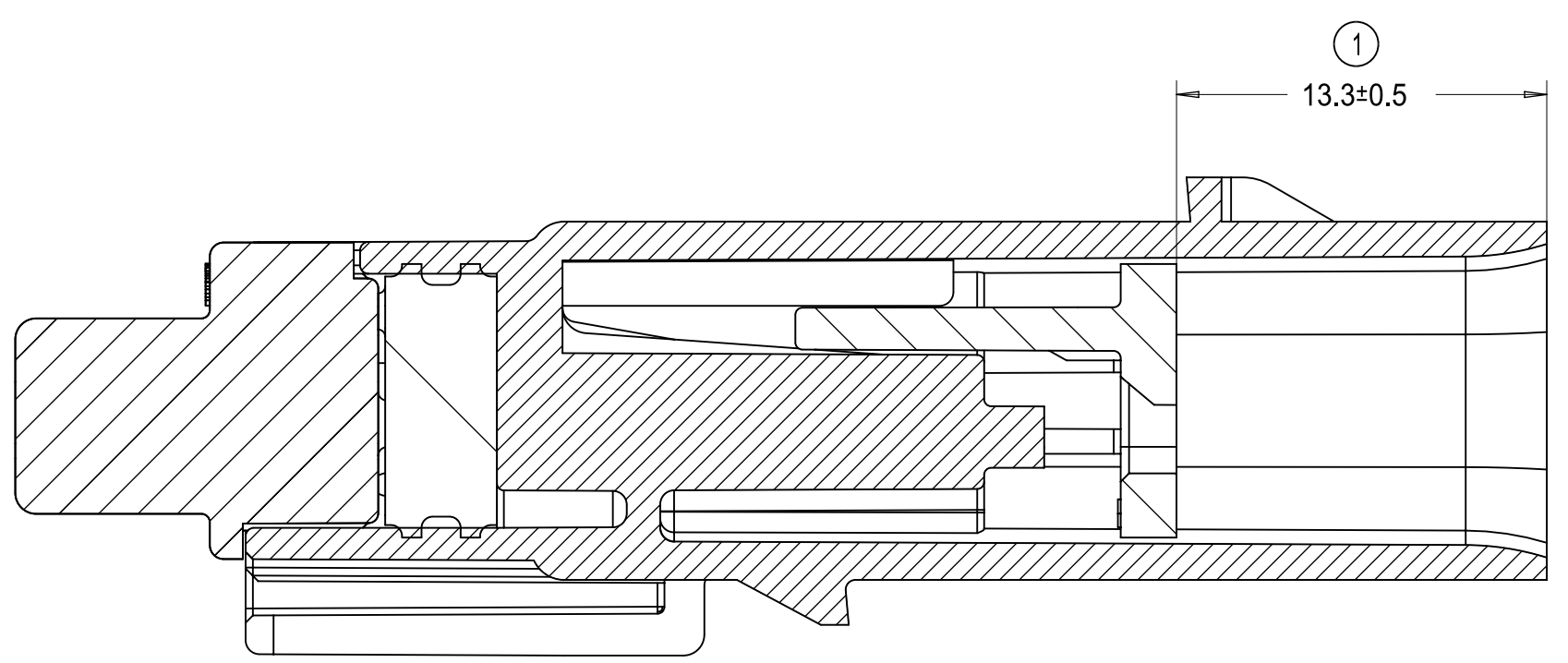
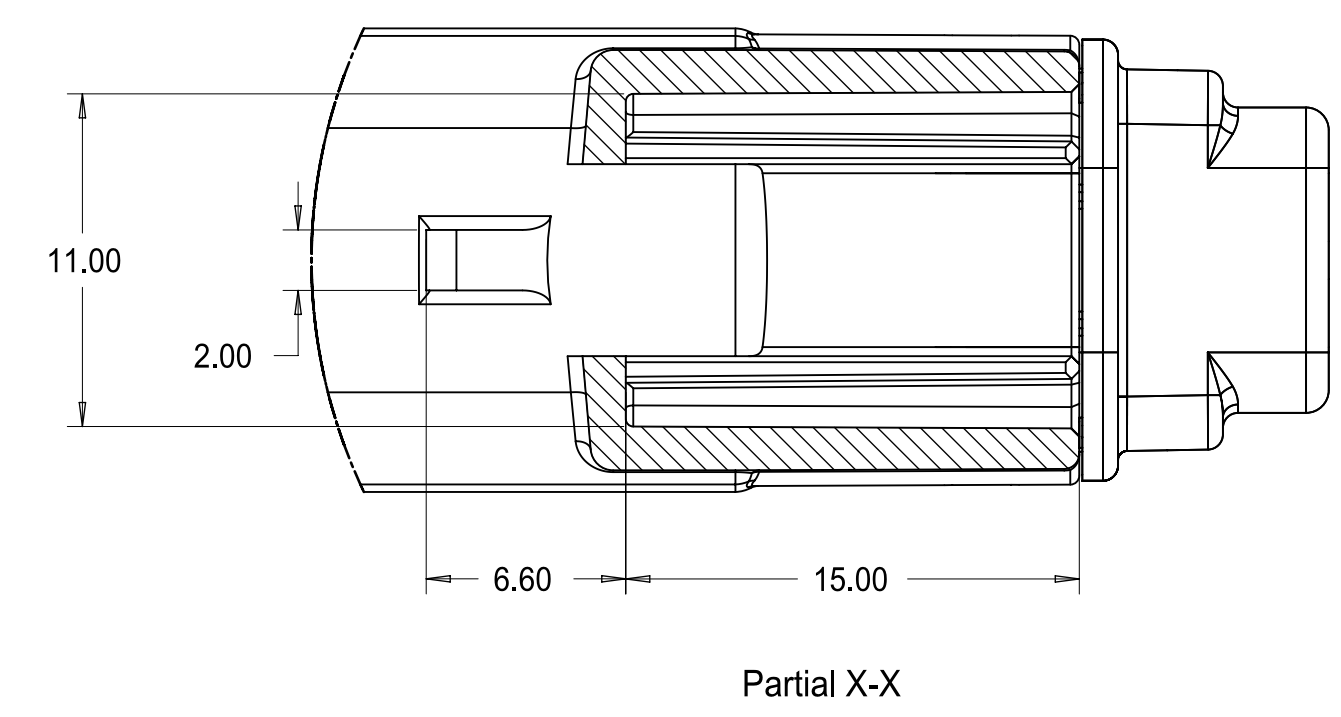
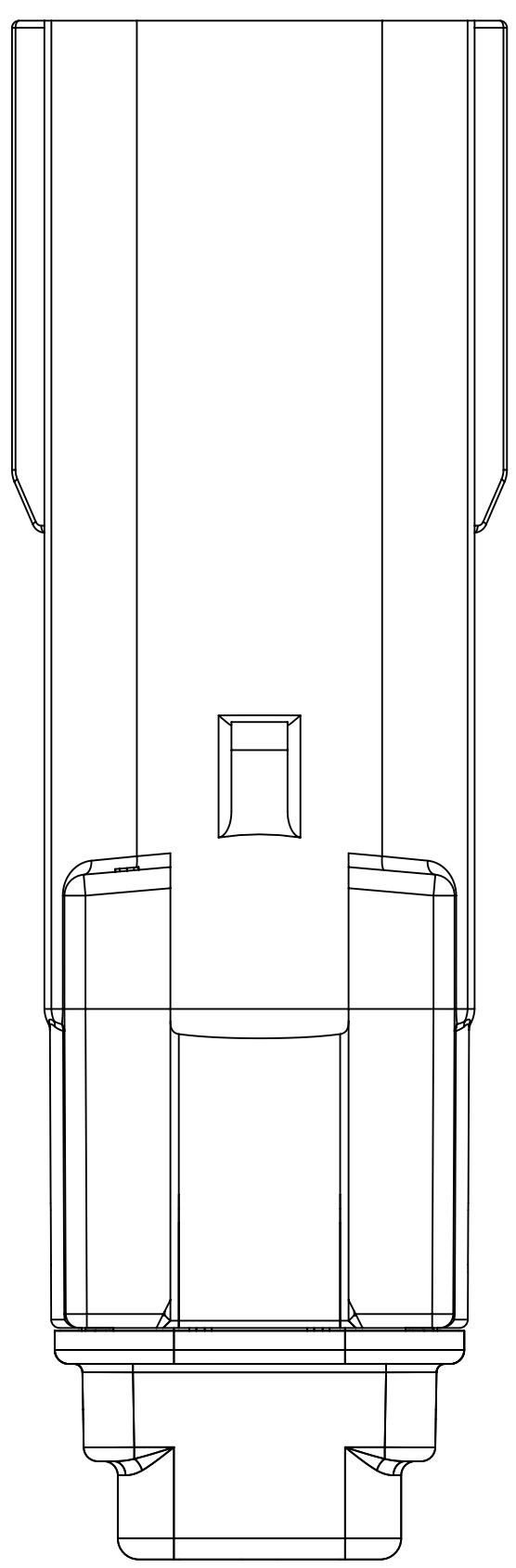
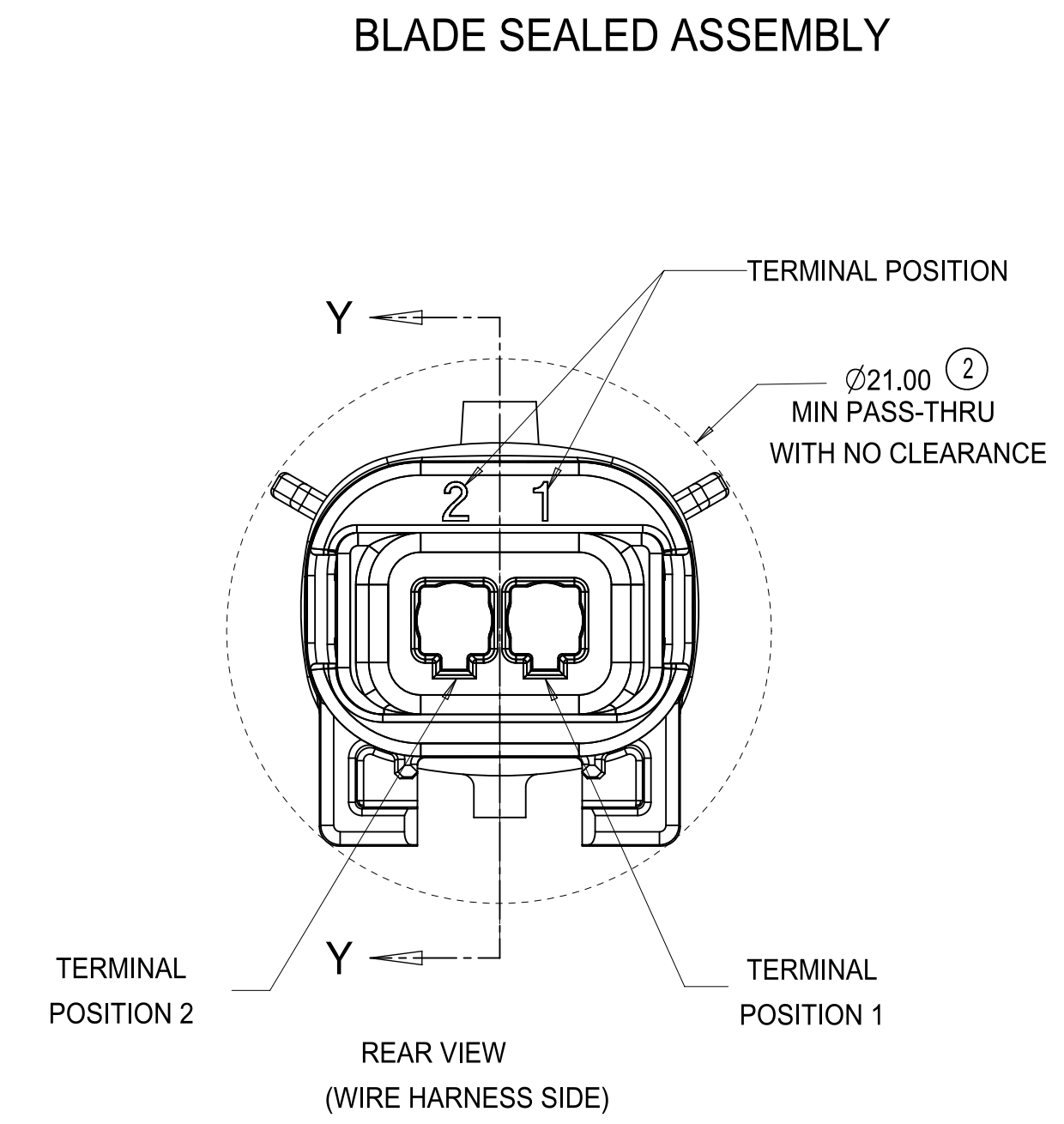
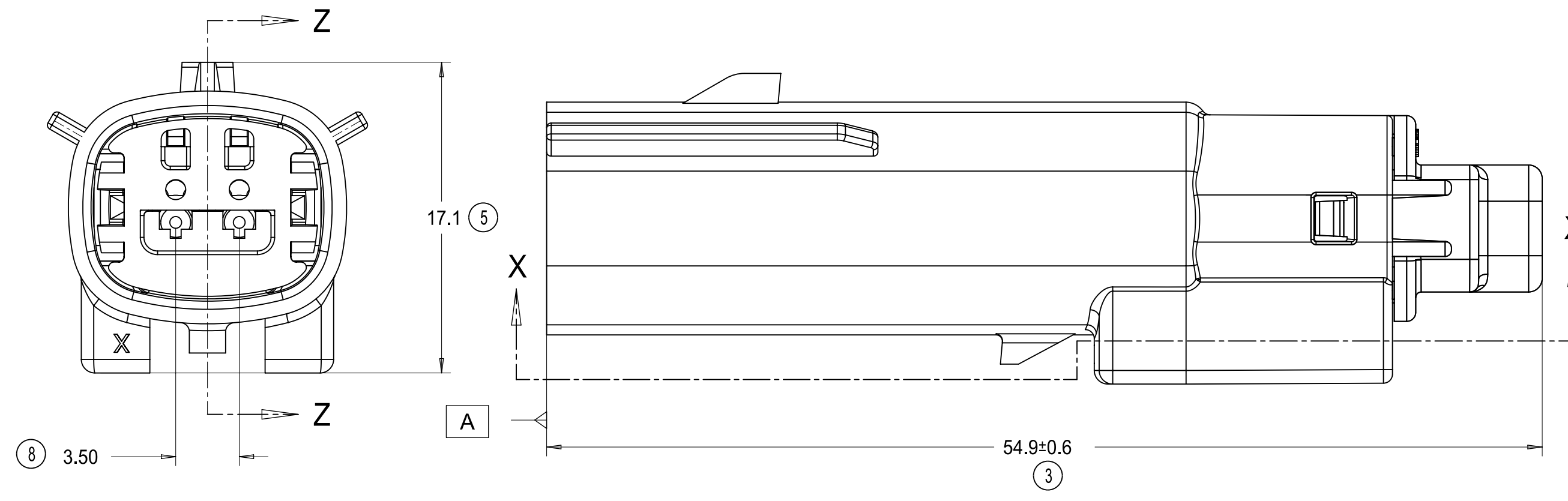
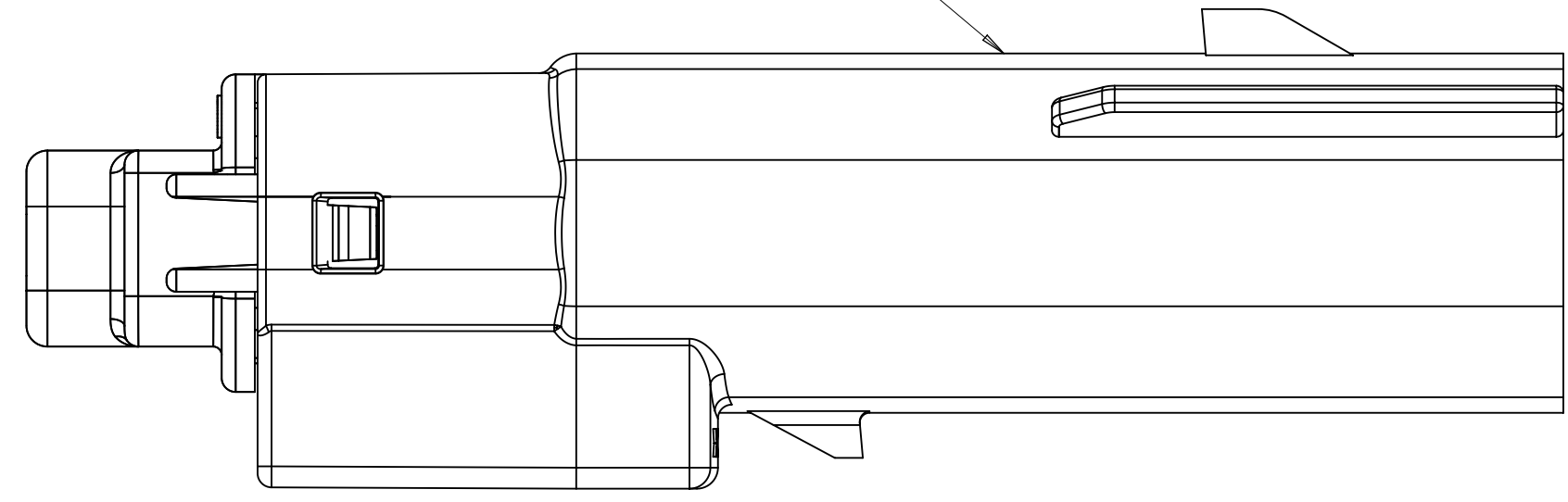
FUNCTIONAL SYMBOLS	THIS DRAWING CONTAINS INFORMATION THAT IS PROPRIETARY TO MOLEX ELECTRONIC TECHNOLOGIES, LLC AND SHOULD NOT BE USED WITHOUT WRITTEN PERMISSION		
	DIMENSION UNITS	SCALE	CURRENT REV DESC: ADDED NEW PART NUMBER 334810212
$F_A = 0$	MM	4:1	STATUS: Production DRWN: Shekar S B CHK'D: Tom Smith APPR: Andy Proffitt
$F_C = 0$	GENERAL TOLERANCES (UNLESS SPECIFIED)		
$F_D = 0$	ANGULAR TOL ± 3°		
DIVISIONAL SYMBOLS	4 PLACES	±	
	3 PLACES	±	
	2 PLACES	± 0.100	2025-10-06
	1 PLACE	± 0.20	2025-10-28
	0 PLACES	±	2025-10-28
DRAFT WHERE APPLICABLE MUST REMAIN WITHIN DIMENSIONS		THIRD ANGLE PROJECTION	DRAWING SERIES
			D-SIZE 33481
			MATERIAL NUMBER CUSTOMER SHEET NUMBER
			SEE BOM GENERAL MARKET 2 OF 9
			DOCUMENT NUMBER DOC TYPE DOC PART REVISION
			SD-33481-021 PSD 001 A15

molex

MX150 1X2 BLADE
SEALED ASSEMBLY MAT SEAL

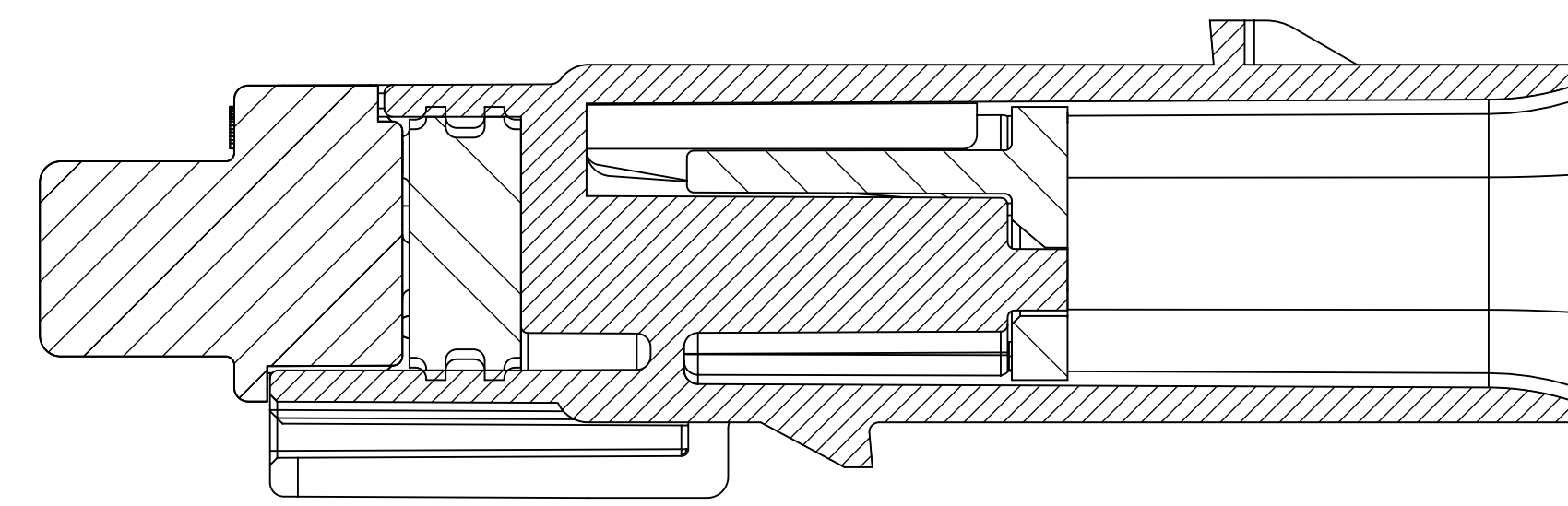
PRODUCT CUSTOMER DRAWING

OPTIONAL LASER MARKING ON THIS SURFACE SEE NOTE 3g



PRIMARY LOCK REINFORCEMENT (PLR) SHOWN IN PRE-STAGED POSITION

SECTION Z-Z



PRIMARY LOCK REINFORCEMENT (PLR) SHOWN IN FINAL-LOCK POSITION

SECTION Y-Y

FUNCTIONAL SYMBOLS $F_A = 0$ $F_C = 0$ $F_D = 0$ DIVISIONAL SYMBOLS	THIS DRAWING CONTAINS INFORMATION THAT IS PROPRIETARY TO MOLEX ELECTRONIC TECHNOLOGIES, LLC AND SHOULD NOT BE USED WITHOUT WRITTEN PERMISSION		CURRENT REV DESC: ADDED NEW PART NUMBER 334810212	
	DIMENSION UNITS	SCALE		
	MM	4:1		
	GENERAL TOLERANCES (UNLESS SPECIFIED)			
	ANGULAR TOL	± 3'		
4 PLACES	±			
3 PLACES	±			
2 PLACES	± 0.100	STATUS: Production		
1 PLACE	± 0.20	DRWN: Shekar S B		
0 PLACES	±	CHK'D: Tom Smith		
DRAFT WHERE APPLICABLE MUST REMAIN WITHIN DIMENSIONS		APPR: Andy Proffitt		
THIRD ANGLE PROJECTION		DRAWING	SERIES	2025-10-06
		D-SIZE	33481	2025-10-28
		MATERIAL NUMBER	CUSTOMER	2025-10-28
		SEE BOM	GENERAL MARKET	
		SHEET NUMBER		
		3 OF 9		

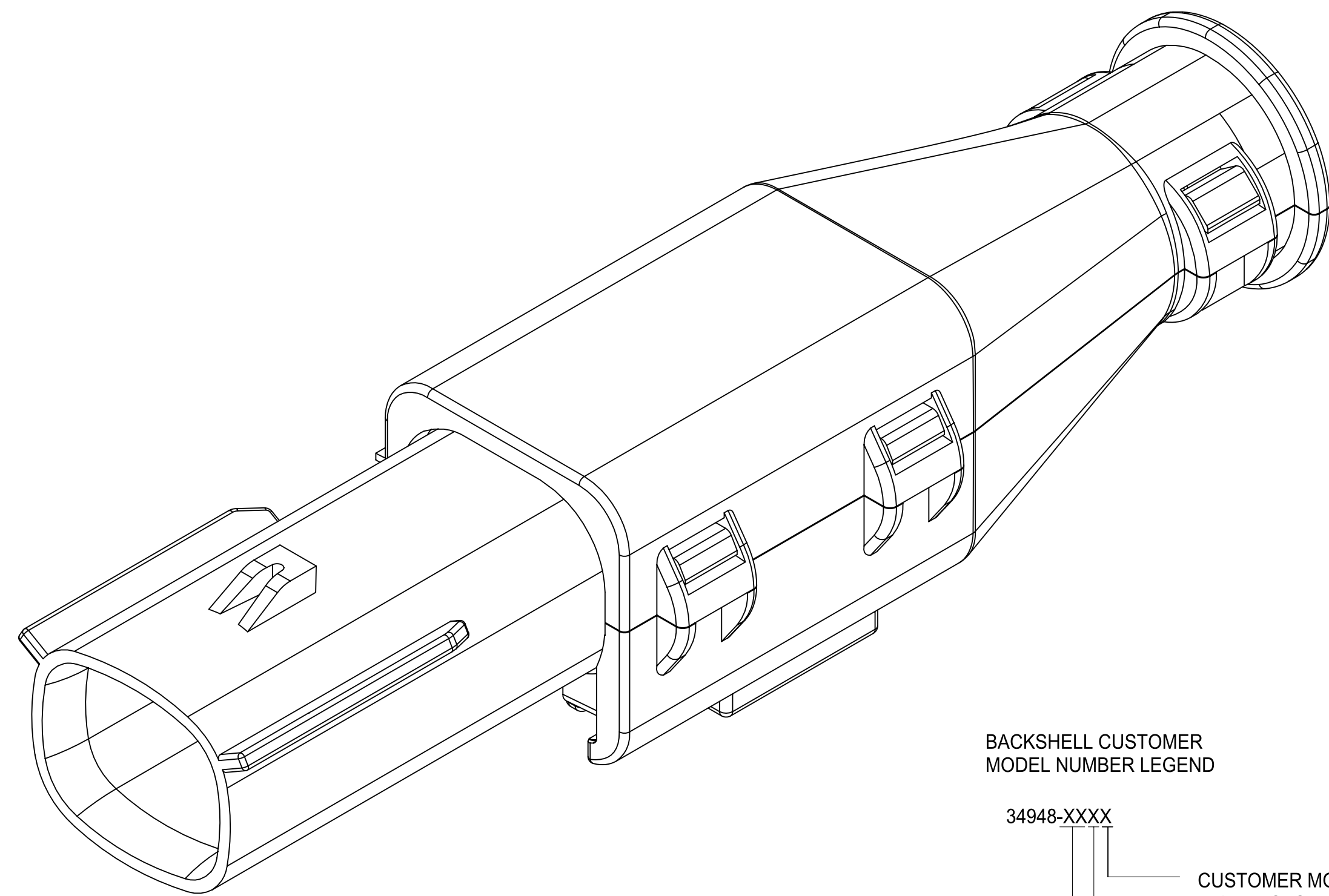
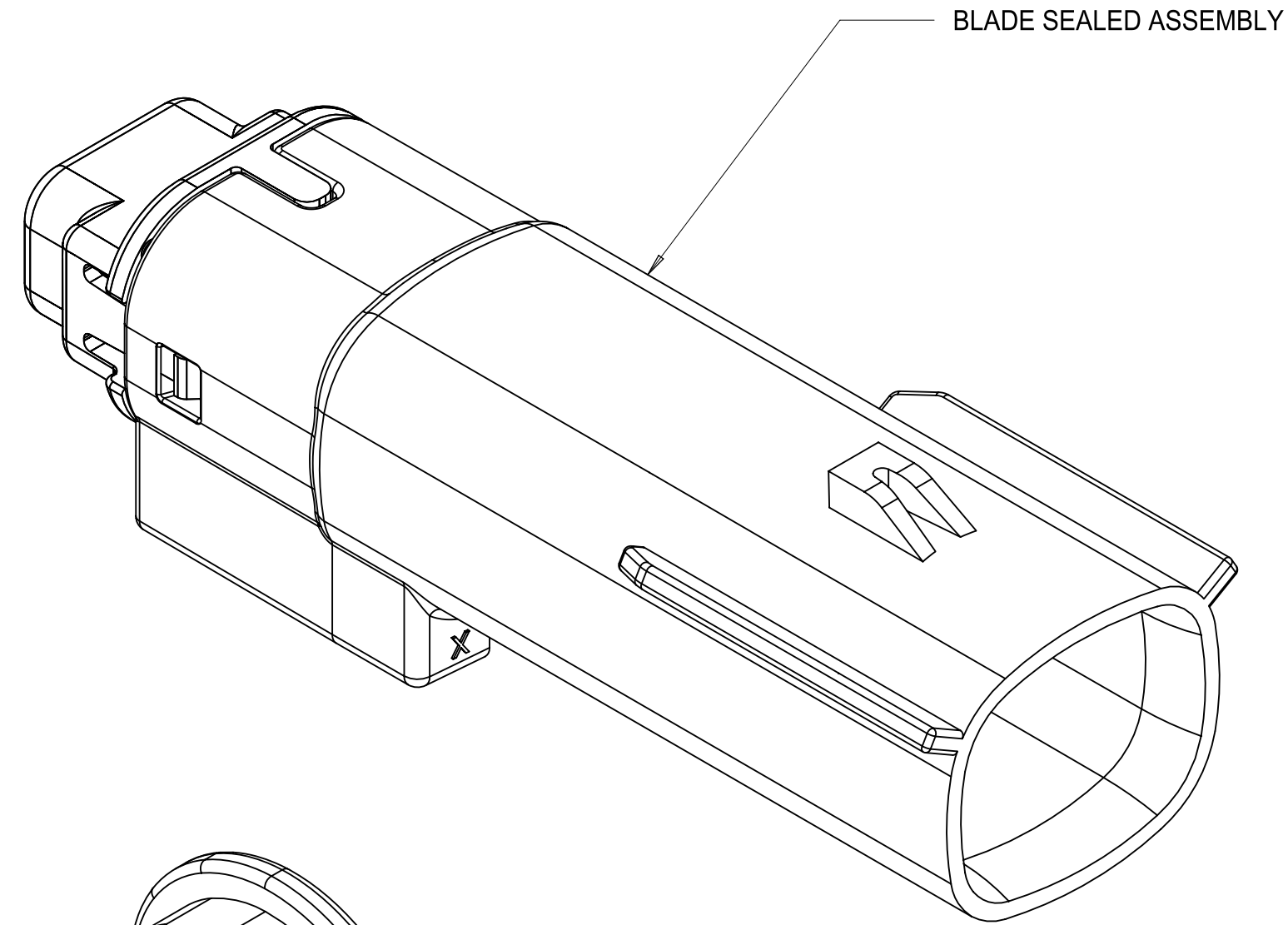
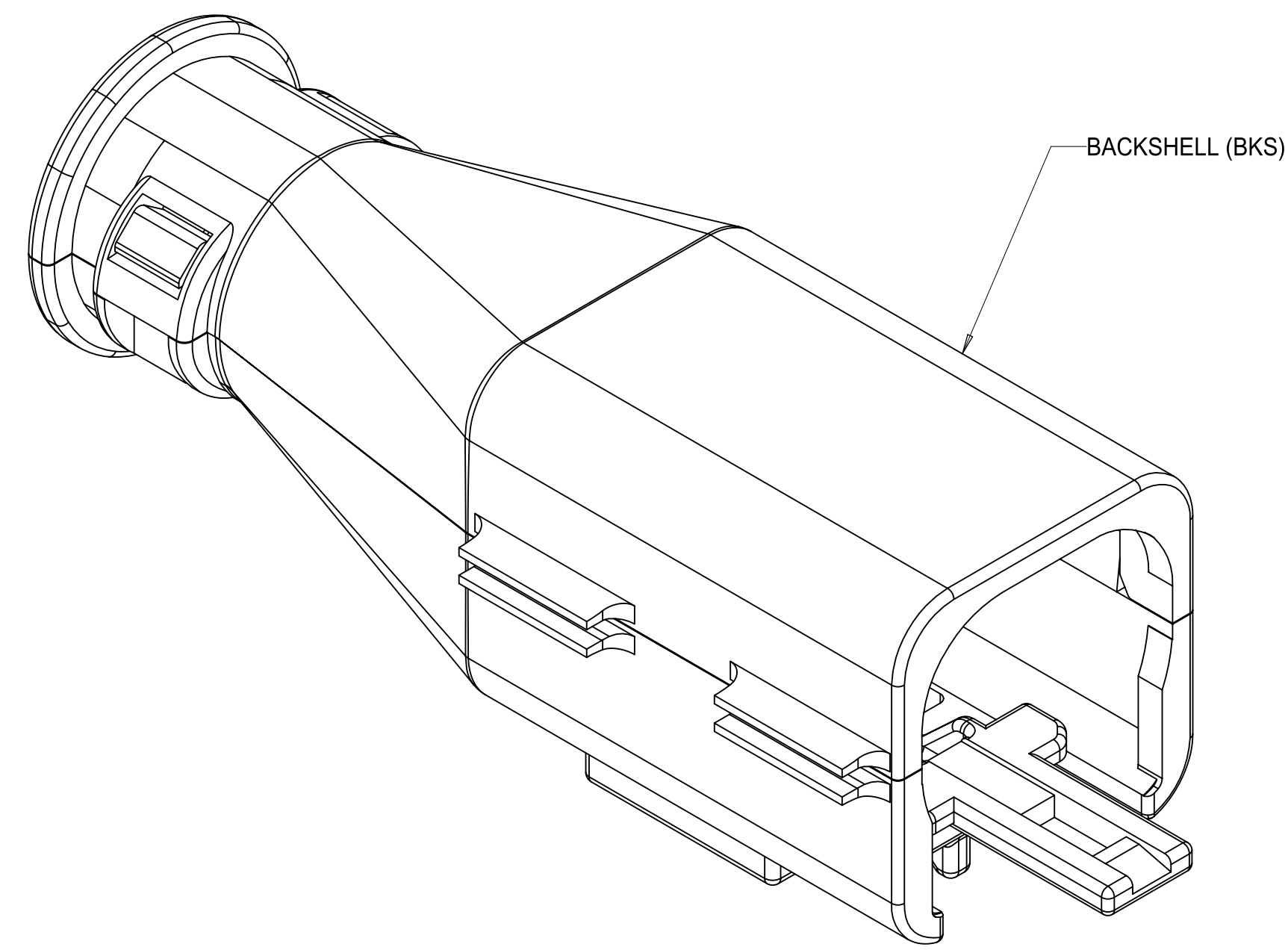
molex

MX150 1X2 BLADE SEALED ASSEMBLY MAT SEAL

PRODUCT CUSTOMER DRAWING

DOCUMENT NUMBER	DOC TYPE	DOC PART	REVISION
SD-33481-021	PSD	001	A15

BACKSHELL NOTES



BACKSHELL CUSTOMER MODEL NUMBER LEGEND

34948-XXXX

- CUSTOMER MODEL COMPONENTS
- 0 - BACKSHELL ONLY
 - 1 - BACKSHELL & MX150 HOUSING KEY A ASSEMBLY
 - 2 - BACKSHELL & MX150 HOUSING KEY B ASSEMBLY
 - 3 - BACKSHELL & MX150 HOUSING KEY C ASSEMBLY
 - 4 - BACKSHELL & MX150 HOUSING KEY D ASSEMBLY

- BACKSHELL FEATURES
- 1 - WITH RIBS
 - 2 - WITHOUT RIBS

MX150 CIRCUIT SIZE 02, 03, 04, 05, 06

BACKSHELL NOTES: VALID UNLESS OTHERWISE SPECIFIED

1. GENERAL:
- a. APPLICATION SPECIFICATION SEE: AS-34951-001
 - DESIGNED TO MATE WITH RECEPTACLE SEALED ASSEMBLY SPECIFIED IN MOLEX DRAWING SD-33472-021.
 - SYSTEM TO BE USED WITH WIRE WITHIN DIAMETER RANGE OF 1.2mm TO 2.69mm.
 - COMPONENTS ARE OPTIONAL AND MUST BE PURCHASED SEPERATELY.
 - BACKSHELL DESIGN IS OWNED BY SCHLEMMER.
 - FOR ADDITIONAL INFORMATION SEE THE BACKSHELL COMPONENT DRAWING SD-34948-0001.

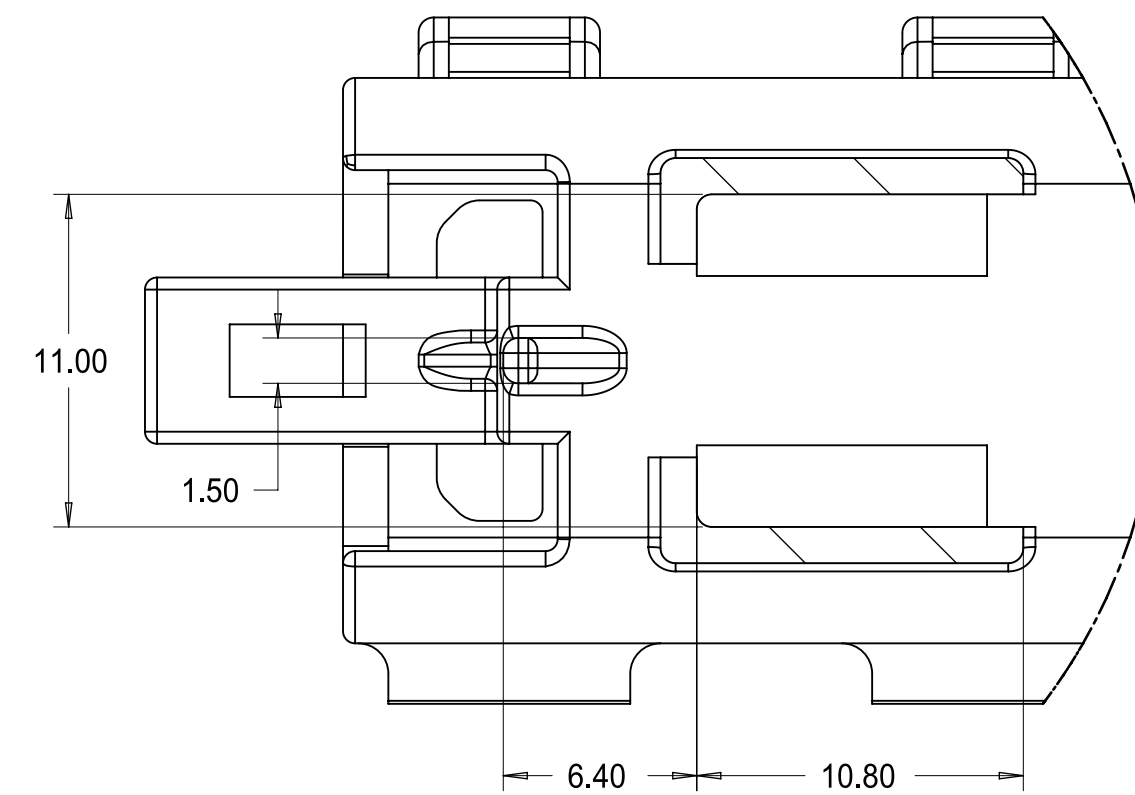
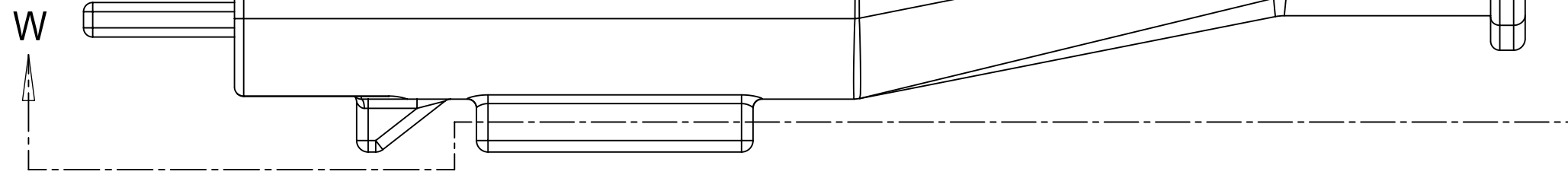
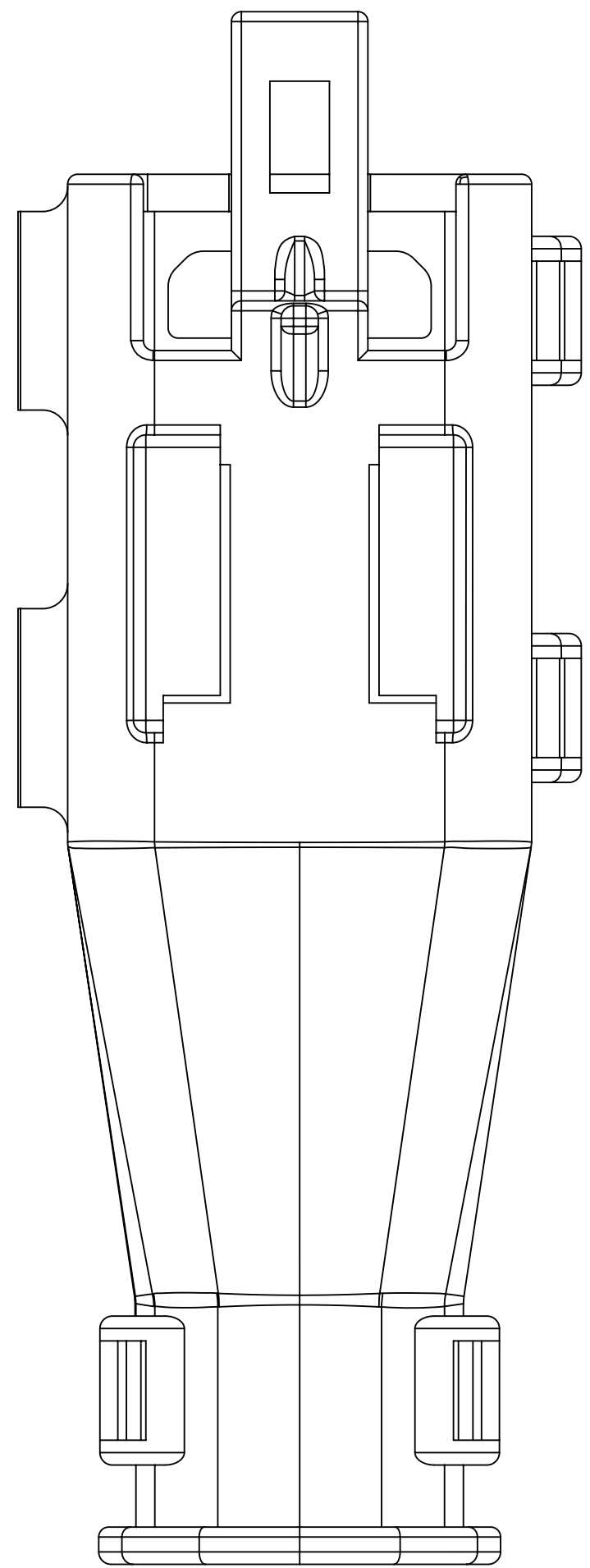
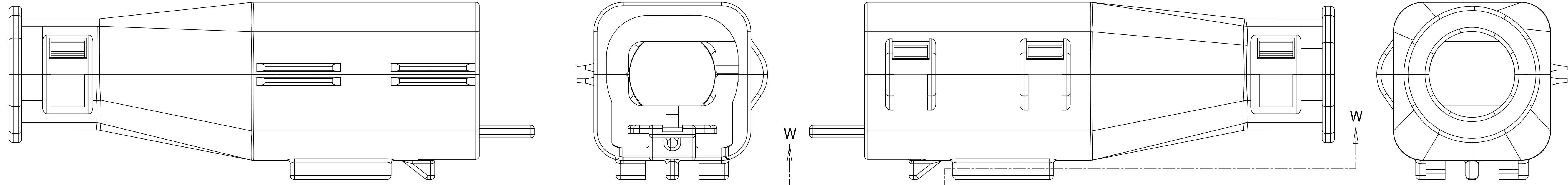
FUNCTIONAL SYMBOLS FA = 0 FC = 0 FD = 0	THIS DRAWING CONTAINS INFORMATION THAT IS PROPRIETARY TO MOLEX ELECTRONIC TECHNOLOGIES, LLC AND SHOULD NOT BE USED WITHOUT WRITTEN PERMISSION		CURRENT REV DESC: ADDED NEW PART NUMBER 334810212		
	DIMENSION UNITS MM	SCALE 4:1	STATUS: Production DRWN: Shekar S B CHK'D: Tom Smith APPR: Andy Proffitt 2025-10-06 2025-10-28 2025-10-28		
	GENERAL TOLERANCES (UNLESS SPECIFIED)				
	ANGULAR TOL ± 3°				
4 PLACES ±					
DIVISIONAL SYMBOLS	3 PLACES ±		DOCUMENT NUMBER		
	2 PLACES ± 0.100		SD-33481-021		
	1 PLACE ± 0.20		DOC TYPE DOC PART REVISION		
	0 PLACES ±		PSD 001 A15		
DRAFT WHERE APPLICABLE MUST REMAIN WITHIN DIMENSIONS		THIRD ANGLE PROJECTION	DRAWING D-SIZE	SERIES 33481	MATERIAL NUMBER SEE BOM
			CUSTOMER GENERAL MARKET	SHEET NUMBER 5 OF 9	

molex

MX150 1X2 BLADE SEALED ASSEMBLY MAT SEAL

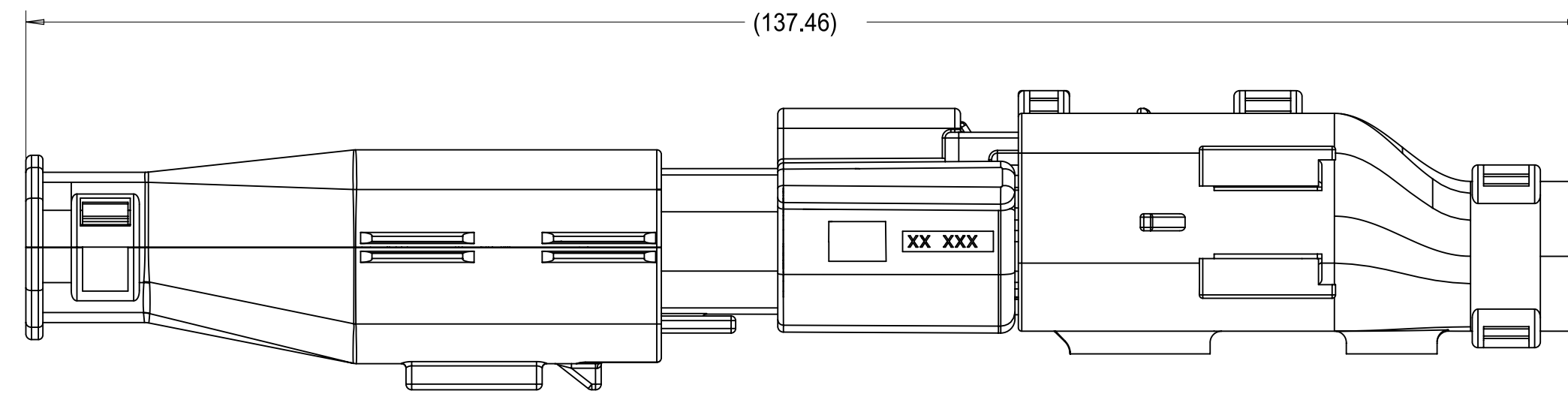
PRODUCT CUSTOMER DRAWING

BACKSHELL
 THE VIEWS ON THIS SHEET ARE
 IN THE CLOSED UN-ASSEMBLED POSITION

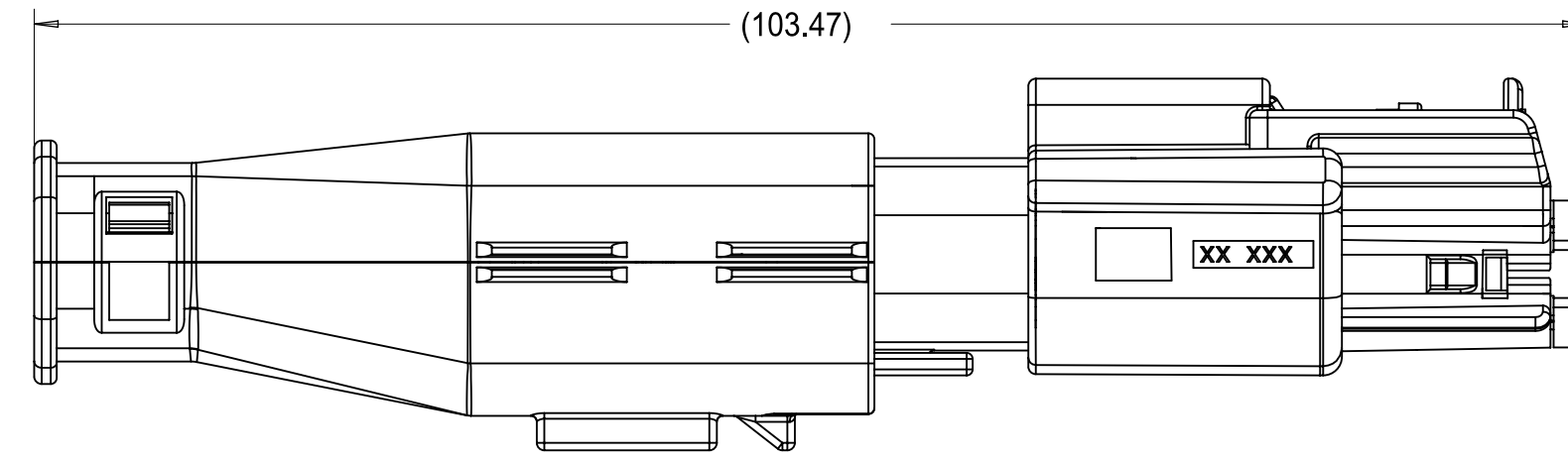
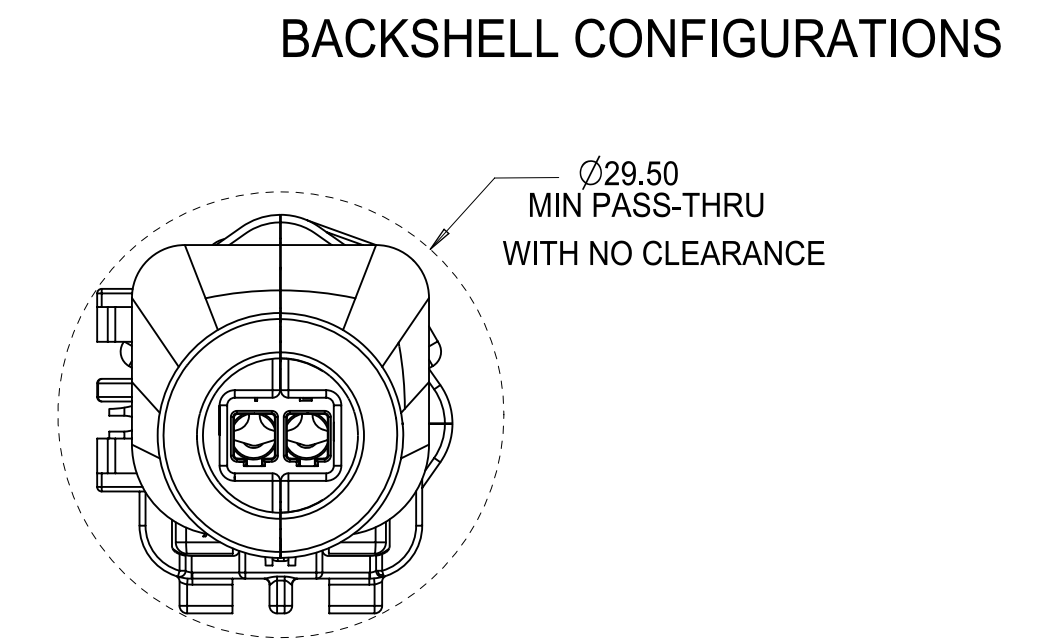


Partial W-W
 SCALE 4:1

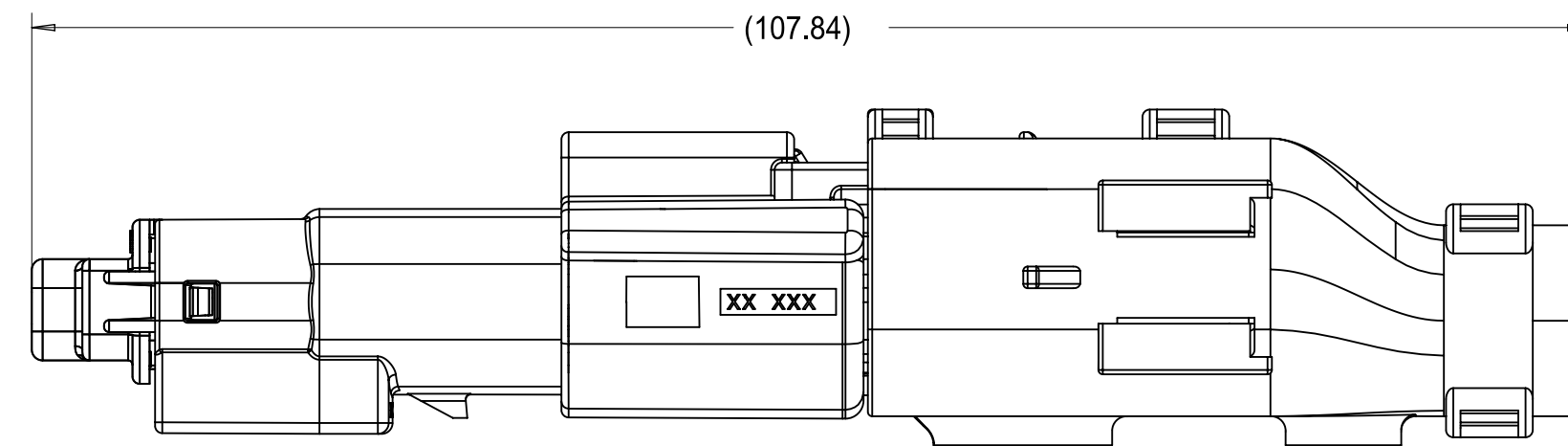
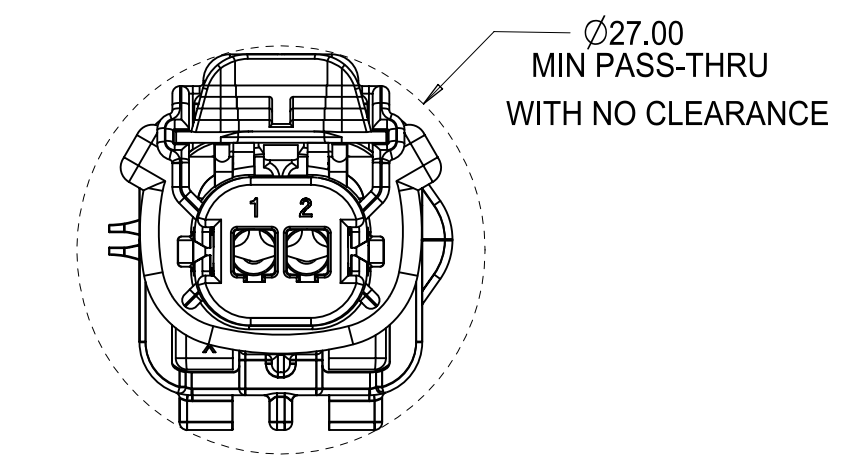
FUNCTIONAL SYMBOLS $F_A = 0$ $F_C = 0$ $F_D = 0$ DIVISIONAL SYMBOLS	THIS DRAWING CONTAINS INFORMATION THAT IS PROPRIETARY TO MOLEX ELECTRONIC TECHNOLOGIES, LLC AND SHOULD NOT BE USED WITHOUT WRITTEN PERMISSION		CURRENT REV DESC: ADDED NEW PART NUMBER 334810212			
	DIMENSION UNITS	SCALE	STATUS: Production			
	MM	4:1	DRWN: Shekar S B			
	GENERAL TOLERANCES (UNLESS SPECIFIED)		CHK'D: Tom Smith			
ANGULAR TOL \pm 3'		APPR: Andy Proffitt				
4 PLACES \pm		2025-10-06				
3 PLACES \pm		2025-10-28				
2 PLACES \pm 0.100		2025-10-28				
1 PLACE \pm 0.20		0				
0 PLACES \pm		DRAFT WHERE APPLICABLE MUST REMAIN WITHIN DIMENSIONS				
THIRD ANGLE PROJECTION		DRAWING	SERIES	MATERIAL NUMBER	CUSTOMER	SHEET NUMBER
		D-SIZE	33481	SEE BOM	GENERAL MARKET	6 OF 9
		DOCUMENT NUMBER		DOC TYPE	DOC PART	REVISION
		SD-33481-021		PSD	001	A15
		molex		MX150 1X2 BLADE SEALED ASSEMBLY MAT SEAL		
		PRODUCT CUSTOMER DRAWING				



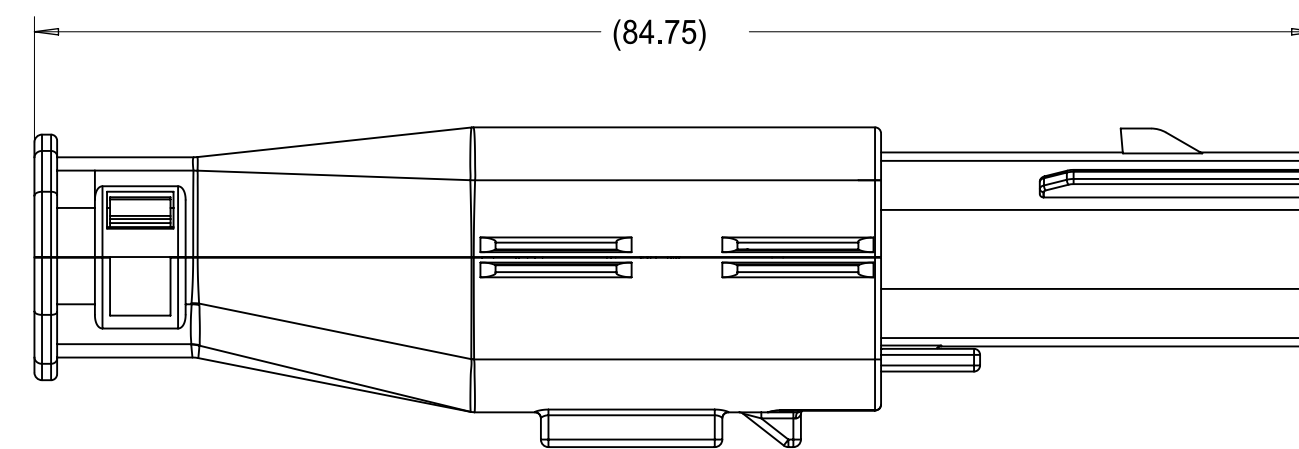
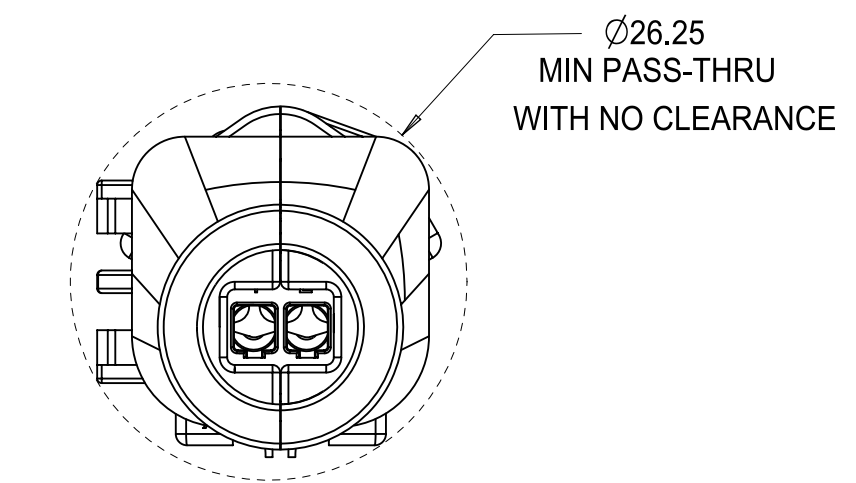
OVERALL MATED SYSTEM WITH BLADE AND RECEPTACLE BACKSHELL



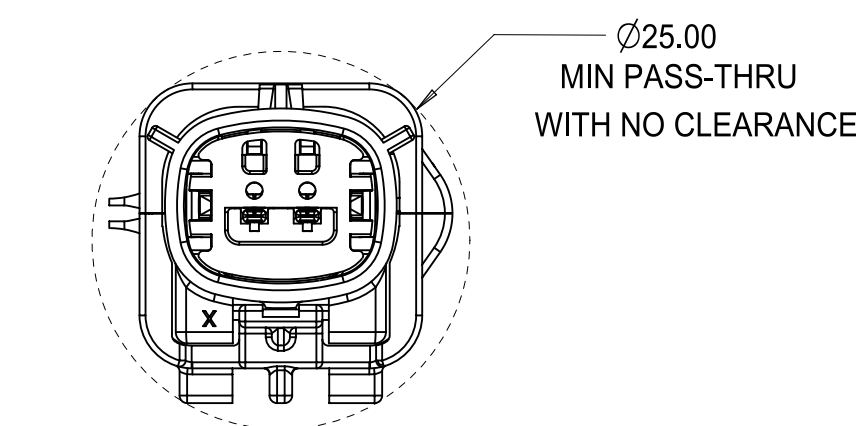
OVERALL MATED SYSTEM WITH BLADE BACKSHELL



OVERALL MATED SYSTEM WITH RECEPTACLE BACKSHELL



BLADE SEALED ASSEMBLY WITH BLADE BACKSHELL



FUNCTIONAL SYMBOLS $\nabla_A = 0$ $\nabla_C = 0$ $\nabla_D = 0$ DIVISIONAL SYMBOLS	THIS DRAWING CONTAINS INFORMATION THAT IS PROPRIETARY TO MOLEX ELECTRONIC TECHNOLOGIES, LLC AND SHOULD NOT BE USED WITHOUT WRITTEN PERMISSION		CURRENT REV DESC: ADDED NEW PART NUMBER 334810212	
	DIMENSION UNITS MM	SCALE 2:1	GENERAL TOLERANCES (UNLESS SPECIFIED) ANGULAR TOL \pm 3° 4 PLACES \pm 3 PLACES \pm 2 PLACES \pm 0.100 1 PLACE \pm 0.20 0 PLACES \pm	
DRAFT WHERE APPLICABLE MUST REMAIN WITHIN DIMENSIONS		THIRD ANGLE PROJECTION 	STATUS: Production DRWN: Shekar S B CHK'D: Tom Smith APPR: Andy Proffitt	2025-10-06 2025-10-28 2025-10-28
		DRAWING D-SIZE	SERIES 33481	MATERIAL NUMBER SEE BOM
		CUSTOMER GENERAL MARKET	SHEET NUMBER 7 OF 9	DOCUMENT NUMBER SD-33481-021
		DOC TYPE PSD	DOC PART 001	REVISION A15

molex

MX150 1X2 BLADE
SEALED ASSEMBLY MAT SEAL

PRODUCT CUSTOMER DRAWING

KEY A, YELLOW	33481-0210					A	GCO							OBSOLETE		34948-0210	34948-0220
KEY A, BLACK	33481-0209	A							GCP2		1	2		OBSOLETE		34948-0210	34948-0220
KEY D, STONE GRAY	33481-0208				D				GCP		1	2		OBSOLETE		34948-0210	34948-0220
KEY C, DARK GRAY	33481-0207			C					GCP		1	2		OBSOLETE		34948-0210	34948-0220
KEY B, LIGHT GRAY	33481-0206		B						GCP		1	2		OBSOLETE		34948-0210	34948-0220
KEY A, BLACK	33481-0205	A							GCP		1	2		OBSOLETE		34948-0210	34948-0220
KEY D, STONE GRAY	33481-0204				D				GCO					OBSOLETE		34948-0210	34948-0220
KEY C, DARK GRAY	33481-0203			C					GCO					OBSOLETE		34948-0210	34948-0220
KEY B, LIGHT GRAY	33481-0202		B						GCO					OBSOLETE		34948-0210	34948-0220
KEY A, BLACK	33481-0201	A							GCO					OBSOLETE		34948-0210	34948-0220
ASSEMBLY DESCRIPTION	ASSEMBLY PART NUMBERS	A	B	C	D	A	GCO	GCP	GCP2	1	2		STATUS	COMMENTS	BACKSHELL WITH RIBS	BACKSHELL WITHOUT RIBS	
		BLOCKED TERMINAL										OPTIONAL ATTACHMENTS					
CAVITY WITH A NUMBER INDICATES BLOCKED TERMINAL POSITION										SOLD SEPARATELY							
CAVITY WITHOUT A NUMBER INDICATES OPEN TERMINAL POSITION																	
MAT SEAL			RUST RED			INHERENTLY LUBRICATED SILICONE											
PLR			NATURAL			SPS/NYLON GF20											
GROMMET CAP (CAVITY 2 PLUGGED)			BLACK			SPS/NYLON GF20											
GROMMET CAP (PLUGGED)			BLACK			SPS/NYLON GF20											
GROMMET CAP (OPEN)			BLACK			SPS/NYLON GF20											
HOUSING - KEYING OPTION A			YELLOW			SPS/NYLON GF20											
HOUSING - KEYING OPTION D			STONE GRAY			SPS/NYLON GF20											
HOUSING - KEYING OPTION C			DARK GRAY			SPS/NYLON GF20											
HOUSING - KEYING OPTION B			LIGHT GRAY			SPS/NYLON GF20											
HOUSING - KEYING OPTION A			BLACK			SPS/NYLON GF20											
DESCRIPTION			COLOR			MATERIAL											
BOM/APPLICABLE COMPONENTS TABLE																	


LEGEND TABLE	
ABREVIATION	COMPONENT
A	HOUSING KEY A
B	HOUSING KEY B
C	HOUSING KEY C
D	HOUSING KEY D
GCO	GROMMET CAP (OPEN)
GCP	GROMMET CAP (PLUGGED)
GCP2	GROMMET CAP (CAVITY 2 PLUGGED)
P	PLR, STANDARD
M	MAT SEAL
BKS	BACKSHELL

FUNCTIONAL SYMBOLS FA = 0 FC = 0 FP = 0 DIVISIONAL SYMBOLS	THIS DRAWING CONTAINS INFORMATION THAT IS PROPRIETARY TO MOLEX ELECTRONIC TECHNOLOGIES, LLC AND SHOULD NOT BE USED WITHOUT WRITTEN PERMISSION		
	DIMENSION UNITS	SCALE	CURRENT REV DESC: ADDED NEW PART NUMBER
	MM	1:1	334810212
	GENERAL TOLERANCES (UNLESS SPECIFIED)		
ANGULAR TOL ± 3°			
4 PLACES ±			
3 PLACES ±			
2 PLACES ± 0.100			
1 PLACE ± 0.20			
0 PLACES ±			
DRAFT WHERE APPLICABLE MUST REMAIN WITHIN DIMENSIONS		THIRD ANGLE PROJECTION	DRAWING
			D-SIZE
		SERIES	33481
		MATERIAL NUMBER	SEE BOM
		CUSTOMER	GENERAL MARKET
		SHEET NUMBER	8 OF 9
 MX150 1X2 BLADE SEALED ASSEMBLY MAT SEAL PRODUCT CUSTOMER DRAWING			DOCUMENT NUMBER SD-33481-021
			DOC TYPE DOC PART REVISION PSD 001 A15
		2025-10-06	
		2025-10-28	
		2025-10-28	
		STATUS: Production	
		DRWN: Shekar S B	
		CHK'D: Tom Smith	
		APPR: Andy Proffitt	

MID-VOLT, KEY A LIGHT BLUE	334810212						A1	GCO						SALEABLE	LIGHT BLUE HOUSING	34948-0210	34948-0220
KEY A, YELLOW	33481-2210						A	GCO						SALEABLE		34948-0210	34948-0220
KEY A, BLACK	33481-2209	A							GCP2			2		SALEABLE		34948-0210	34948-0220
KEY D, STONE GRAY	33481-2208			D				GCP		1	2			SALEABLE		34948-0210	34948-0220
KEY C, DARK GRAY	33481-2207			C				GCP		1	2			SALEABLE		34948-0210	34948-0220
KEY B, LIGHT GRAY	33481-2206		B					GCP		1	2			SALEABLE		34948-0210	34948-0220
KEY A, BLACK	33481-2205	A							GCP	1	2			SALEABLE		34948-0210	34948-0220
KEY D, STONE GRAY	33481-2204				D			GCO						SALEABLE		34948-0210	34948-0220
KEY C, DARK GRAY	33481-2203				C			GCO						SALEABLE		34948-0210	34948-0220
KEY B, LIGHT GRAY	33481-2202				B			GCO						SALEABLE		34948-0210	34948-0220
KEY A, BLACK	33481-2201	A						GCO						SALEABLE		34948-0210	34948-0220
ASSEMBLY DESCRIPTION	ASSEMBLY PART NUMBERS	A	B	C	D	A	A1	GCO	GCP	GCP2	1	2		STATUS	COMMENTS	BACKSHELL WITH RIBS	BACKSHELL WITHOUT RIBS
		BLOCKED TERMINAL										CAVITY WITH A NUMBER INDICATES BLOCKED TERMINAL POSITION		OPTIONAL ATTACHMENTS SOLD SEPARATELY			
CAVITY WITHOUT A NUMBER INDICATES OPEN TERMINAL POSITION																	
MAT SEAL				GREEN				INHERENTLY LUBRICATED SILICONE									
PLR				NATURAL				SPS/NYLON GF20									
GROMMET CAP (CAVITY 2 PLUGGED)				BLACK				SPS/NYLON GF20									
GROMMET CAP (PLUGGED)				BLACK				SPS/NYLON GF20									
GROMMET CAP (OPEN)				BLACK				SPS/NYLON GF20									
HOUSING - KEYING OPTION A (MID-VOLT)				LIGHT BLUE				SPS/NYLON GF20									
HOUSING - KEYING OPTION A				YELLOW				SPS/NYLON GF20									
HOUSING - KEYING OPTION D				STONE GRAY				SPS/NYLON GF20									
HOUSING - KEYING OPTION C				DARK GRAY				SPS/NYLON GF20									
HOUSING - KEYING OPTION B				LIGHT GRAY				SPS/NYLON GF20									
HOUSING - KEYING OPTION A				BLACK				SPS/NYLON GF20									
DESCRIPTION				COLOR				MATERIAL									

BOM/APPLICABLE COMPONENTS TABLE

FUNCTIONAL SYMBOLS FA = 0 FC = 0 FP = 0	THIS DRAWING CONTAINS INFORMATION THAT IS PROPRIETARY TO MOLEX ELECTRONIC TECHNOLOGIES, LLC AND SHOULD NOT BE USED WITHOUT WRITTEN PERMISSION		CURRENT REV DESC: ADDED NEW PART NUMBER 334810212	
	DIMENSION UNITS MM	SCALE 1:1		
DIVISIONAL SYMBOLS	GENERAL TOLERANCES (UNLESS SPECIFIED)		STATUS: Production	
	ANGULAR TOL ± 3°	4 PLACES ±	DRWN: Shekar S B	2025-10-06
	3 PLACES ±	2 PLACES ± 0.100	CHK'D: Tom Smith	2025-10-28
	2 PLACES ± 0.20	1 PLACE ±	APPR: Andy Proffitt	2025-10-28
	0 PLACES ±	DRAFT WHERE APPLICABLE MUST REMAIN WITHIN DIMENSIONS		THIRD ANGLE PROJECTION
		DRAWING D-SIZE	SERIES 33481	MATERIAL NUMBER SEE BOM
		CUSTOMER GENERAL MARKET	SHEET NUMBER 9 OF 9	



**MX150 1X2 BLADE
SEALED ASSEMBLY MAT SEAL**

PRODUCT CUSTOMER DRAWING

DOCUMENT NUMBER SD-33481-021	DOC TYPE PSD	DOC PART 001	REVISION A15
--	------------------------	------------------------	------------------------